

# Challenger ST II

## CHALLENGER ST II BODY

	<b>PAGE</b>
Challenger ST II Body: CST82", CST98", CST110", and CST134"	5-6
Nomenclature	3
No Wheel Box - Application Information	3
Chassis Pool Installation Instructions	4

## CHALLENGER ST II BODY OPTIONS

	<b>PAGE</b>
Accessories	7
Folding Steps	7
Grab Handles	7
Cover Plate Kits	7
Adapter Plugs	7
Back Up Alarms	8
Backup Camera Mounting Bracket Kit	8
Backup Camera Kit	8
Bar Locks (Push/Pull Design) Rear Handle	8
Brake Controller	8
Bumpers	9
Bumper Option (Bolt-On)	9
Bumper Ends (Liftgate Prep Kits)	9
Compartment Strip Lights - LED	10
Crane Reinforcement (Built-in Option)	11
Crane Reinforcement Supplemental Mounting Kit	12
Deck Slide (Bolt-on)	12
Drawer Packages - Modular Design (Bolt-on) - Vertical	13
Drawer Packages - Modular Design (Bolt-on) - Horizontal	14
Drawer Dividers	14
Fender Kit with Scoop (CST82" Only Application)	15
Fender Panel Assembly with Scoop	15
Fuel Fill (Aluminum Sugar Scoop)	16
Fuel Fill "DEF" Bracket Kit (Bolt-On)	16
Punched Headache Racks (Bolt-On)	16
Highroof	17
Under 10,001 GVW Chassis / Highroof Application Guideline (Longbeds)	18
Highroof Options	19 - 21
Delete Rear Doors, Bulkhead without window, ILO Std. Bulkhead with window,	19
Conduit Doors, Load-space Dome lights,	19
Screens, Rear Door No Window	20
Lift-up Side Access Doors, & Side Windows	21
Hitches (Bolt-On)	22 - 23
Hooks (Bolt-on)	24
Installation (Body)	24
Installation (Chassis Modification)	24
Ladder Rack - Overhead (Bolt-on - FlexStrut Channel Construction)	25
Ladder Rack - Overcab (Bolt-on - FlexStrut Channel Construction)	25
Ladder Rack - Overhead Options (FlexSmart Channel LDR)	26
Awning 8' with Manual Crank (FlexSmart Channel LDR)	26
Pipe / Conduit Tube Holder Assembly (FlexSmart Channel LDR)	26
Outside Work Light Assembly with harness (FlexSmart Channel LDR)	26

**Notes: Call STAHL PARTS DEPT for Replacement Parts Pricing.**



# Challenger ST II

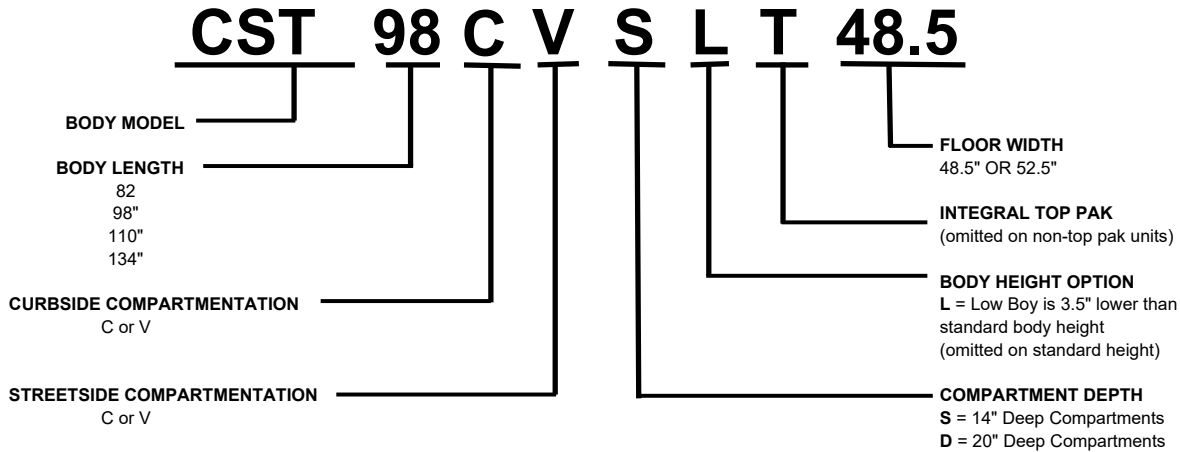
**Distributor Price List**  
**Effective: January 1, 2020**

## CHALLENGER ST II BODY OPTIONS - Continued

	<b>PAGE</b>
Ladder Rack - Side Mount (Body) - Compartment Top (Bolt-on)	26
Ladder Rack - Highroof (Bolt-on)	26
Side Mount Type (Bolt-on)	26
Top Mount Type (Bolt-on)	26
Ladder Rack - Overcab for Body (Bolt-on)	27
Light Kit - LED Surface Mount	28
Light Kit - Strobe - LED Surface Mount	28
Liner (Spray-On) RHINO	29
Liner (Spray-On) UL1000	30
Louvers	30
Low Sliding Roof (Bolt-on)	31
Mounting Kits - Supplemental Body Mounting Kit	32
Mounting Kits - Supplemental Fuel Fill Kit	32
Off-Road Mounting Kits - Spring Mount	32
Paint (Wet) / Powder Coat / In Prime	33-34
Paint (Wet) (Body & Options)	33
Powder Coat (Universal White) is Standard unless noted otherwise	34
In Prime (White) ILO Powder Coat (Body & Options)	34
Pipe Carrier / Pipe Support / Pipe Vise Bracket (Bolt-on)	35
Power Door Locks	35
Stone Guards (Aluminum Treadbrite)	35
Tailboard Asm (Bolt-On)	36
Tailgate (Slam-Action) - Delete	36
Tailgate (Slam-Action) - Delete & Omit Tailgate Holes from Rear End Panel	36
Tank Compartments - 60" High (Built into Body Design)	37
Tank Holders (Bolt-on)	37
Tie Down Ring (Single) Kit (Load-space)	38
Tie Down Ring Floor Kit - Set of (4) Four (In Floor)	38
Tie Down Ring Floor Kit - Set of (6) Six (In Floor)	39
Tire Carriers (Bolt-on)	40
Top Paks (Add-on) (Bolt-on)	40
Top Pak Dividers	40
Trays (With Dividers) (Bolt-on)	41-42
Trays (With Dividers) (Bolt-on) - Delete	42
Tray Dividers	42
West Coast CST ST II (Aluminum) Upgrade Package	43
West Coast - Aluminum Treadbrite (Diamond Plate) Overlay Kits	43

**Notes: Call STAHL PARTS DEPT for Replacement Parts Pricing.**

**NOMENCLATURE**



**NO WHEEL BOX - Application Information**

In order to maximize the cargo carrying capacity, all Challenger ST II (CST) bodies will be available with or without wheel-boxes in the load-space. Part numbers will remain as listed in the price book, except as follows:

- Units with wheel-boxes will use the base 6-digit part number in the price book (Unless No Wheel-boxes are standard)
- Units without wheel-boxes will use the base 6-digit part number with a "-NWB" extension.
- Example: 205916-NWB. (CST110VVD-52.5 "Without Wheel-boxes")

**Note:** Stahl recommends wheel boxes for all Dual Rear Wheel (DRW) applications based on OEM-specified clearances for wheel jounce to prevent damage from the tires rubbing the body. Stahl will **NOT** warranty damage to the vehicle or body due to wheel jounce for DRW bodies without wheel boxes.

**Applications are as follows:**

- Standard GM3500 56CA DRW chassis:** 8' bodies (Models CST98) with 52.5" floors: Wheel-boxes **ARE** required; use the standard body part numbers.
- Standard Ford F350 56CA DRW chassis:** 8' bodies (Models CST98) with 52.5" floors: Wheel-boxes **ARE** required; use the standard body part numbers.
- Standard RAM 3500 56CA DRW chassis:** 8' bodies (Models CST98) with 52.5" floors: Wheel-boxes **ARE** required; use the standard body part numbers.
- Standard GM3500 60CA & 84CA DRW (Narrow Track) chassis:** 9' & 11' bodies (Models CST110 & CST134) with 48.5" floors: Wheel-boxes **ARE** required; use the standard body part numbers.
- Standard GM3500 60CA & 84CA DRW (Wide Track) chassis:** 9' & 11' bodies (Models CST110 & CST134) with 52.5" floors: Wheel-boxes **ARE** required; use the standard body part numbers.
- Standard Ford F350 60CA and 84CA DRW chassis:** 9' and 11' bodies (Models CST110 and CST134) with 52.5" floors: Wheel-boxes **ARE** required; use the body part numbers.
- Standard Ford F450-F550 60CA and 84CA DRW chassis:** 9' and 11' bodies (Models CST110 and CST134) with 52.5" floors: Wheel-boxes **ARE** required; use the body part numbers.
- Standard GM4500/5500 60CA and 84CA DRW chassis:** 9' and 11' bodies (Models CST110 and CST134) with 52.5" floors: Wheel-boxes **ARE** required; use the standard body part numbers.
- Standard RAM 4500/5500 60CA and 84CA DRW chassis:** 9' and 11' bodies (Models CST110 and CST134) with 52.5" floors: Wheel-boxes **ARE** required; use the standard body part numbers.

**Notes:**

1. If you have any questions about With or Without Wheel Boxes, then please contact your Sales Representative, and provide specific chassis information. Sales will then review your questions with our Engineering Department.



# Challenger ST II

**Distributor Price List**  
 Effective: January 1, 2020

## INSTRUCTIONS FOR STAHL MOUNTED BODIES

Please use the following guidelines when ordering a Challenger ST II body to be installed and painted at a STAHL manufacturing facility.

The following individual items must be ordered:

- 1 Challenger ST II service body.
- 2 Bumper.
- 3 Light kit - LED Surface Mounted, installed on to body.
- 4 Add/Delete Streetside Fender Panel Assembly with Scoop (to provide required Sugar Scoop)  
 To address Gas and/or Diesel (or Urea) fuel fill requirements (as needed)
- 5 Adaptor Plug - installed
- 6 Finish Paint (Powder Coat - Universal White is built into the Body & Options)
- 7 Installation (Body) & (Chassis modification - if needed)
- 8 Any additional options must be ordered with the *installed* price.

### EXAMPLE

- Distributor supplies a 56" cab-to-axle single rear wheel GM chassis.
- STAHL Distributor would order the following items at the following pricing:

<b>1 Challenger ST II body</b>		
205393	CST98VVS-48.5	\$4,537
<b>2 Bumper.</b>		
230165	Recessed Galvanneal/Circle Punched Tread Bumper	\$294
<b>3 Light kit - LED Surface Mounted, installed on to body.</b>		
230523	Under 80" LED [Surface Mounted] Light Kit - installed on to body.	\$320
<b>4a Delete Streetside Fender Panel Assembly</b>		
186140-04	Delete Streetside Fender Panel Asm (No Fuel Fill Cutout)	\$0
<b>4b Add Streetside Fender Panel Assembly with Front Fuel Sugar Scoop</b>		
186140-01	Add Streetside Fender Panel Asm (W/Front Fuel Sugar Scoop)	\$98
<b>5 Adaptor Plug</b>		
153737	Adapter plug - 2003-Current GM 42", 56", 60" and 84" cab-to-axle	\$34
<b>6 Finish Paint</b>		
200478	Powder Coat (Universal White) - Built into the Body & Options	\$0
<b>7 Installation (Body) - CST98</b>		
Drop	Install body (onto drop chassis)	\$5,870
<b>8 Any additional options must be ordered with the <i>installed</i> price.</b>		
No additional options requested.		

<b>Total Body Price Installed &amp; Painted (Powder Coated - Universal White)</b>	<b>\$5,870</b>
---	----------------

Dealer wants to add a Low Sliding Roof.

STAHL Distributor would order the following items in addition to the above:

232798	Low Sliding Roof - installed	\$1,699
200478	Powder Coat (Universal White) - Built into the LSR Option	\$0

<b>Total Body Price Installed and Painted (Powder Coated) with Added Option</b>	<b>\$7,569</b>
---	----------------



# Challenger ST II

Distributor Price List  
 Effective: January 1, 2020

## 82" CHALLENGER ST II BODIES (POWDER COATED - WHITE)

PART NUMBER	MODEL	FLOOR WIDTH	BODY LENGTH	COMPT. DEPTH	BODY WIDTH	BODY HEIGHT	APPROX. WEIGHT	CAB-TO-AXLE	REAR WHEEL	PRICE EACH
206063	CST82VVS	48.5"	82"	14"	78.5"	39.5"	910#	*TBD	Single	\$4,849
217955	CST82VVST	48.5"	82"	14"	78.5"	42"	965#	*TBD	Single	\$5,841

- CST82" RAM body (37" CA) will fit 2006-Current full-size Pick-ups w/bed removed (check box removal program).
- CST82" Ford body (40" CA) will fit 1999-Current full-size Ford Super Cab or Crew Cab w/bed removed (check box removal program).
- CST82" Chevy body (42" CA) will fit 2002-Current full-size GM Extend Cab or Crew Cab w/bed removed (check box removal program).
- All CST82" Bodies require CST82" Fender Kit (RAM = 37"CA, Ford = 40"CA, or GM = 42"CA) w/fuel fill to complete body assembly...
  - Fender Kits include: SS Fender panel with Fuel Cutout, CS Fender panel, Aluminum fuel fill, & Frame Extension (as needed)...
  - Fender Kit must be ordered with the Body at the same time...
- CST82 bodies are supplied with 6-point mounting as standard to meet current RAM & Chevy chassis mounting requirements...
  - Note: RAM (37" CA) & Chevy (42" CA) applications are installed with 6-point mounting as standard to meet current mounting...
  - Note: Ford (40" CA) applications are installed with 4-point mounting as standard...
- Note:** The above short CA bodies have different specifications that include the following:
  - Shelving: Streetside & Curbside Front Vertical: (1) Tray with dividers
  - Shelving: Streetside Horizontal: Open, and Curbside Horizontal: (1) Tray with dividers (Same as standard)...
  - Shelving: Streetside & Curbside Rear Vertical: (2) Trays with dividers
  - Note:** Front Verticals Only are no longer supplied with the standard spring-loaded door holders (ILO standard one per side)...

## 98" CHALLENGER ST II BODIES (POWDER COATED - WHITE)

PART NUMBER	MODEL	FLOOR WIDTH	BODY LENGTH	COMPT. DEPTH	BODY WIDTH	BODY HEIGHT	APPROX. WEIGHT	CAB-TO-AXLE	REAR WHEEL	PRICE EACH
205393	CST98VVS	48.5"	98"	14"	78.5"	39.5"	990#	56"	Single	\$4,673
205816	CST98VVSL	48.5"	98"	14"	78.5"	36"	975#	56"	Single	\$4,905
205867	CST98VVST	48.5"	98"	14"	78.5"	42"	1,065#	56"	Single	\$6,062
205783	CST98VVD	52.5"	98"	20"	96"	39.5"	1,145#	56"	Dual	\$4,981
205783-NWB	CST98VVD-NWB	52.5"	98"	20"	96"	39.5"	1,145#	56"	Dual	\$4,981
206528	CST98VVDT	52.5"	98"	20"	96"	42"	1,235#	56"	Dual	\$7,362
206528-NWB	CST98VVDT-NWB	52.5"	98"	20"	96"	42"	1,235#	56"	Dual	\$7,362

- Please contact Inside Sales for chassis/body applications for 1998 and older chassis.
- Off-road mounting kits are required for bodies to be used on uneven or unpaved terrain or with aerial devices without outriggers
- CST98 bodies are supplied with 6-point mounting as standard to meet current RAM & Chevy chassis mounting requirements...
  - Note: Ford chassis applications are installed with 4-point mounting as standard...
- Above Bodies include Powder Coat (Universal White) within pricing...
- Powder Coat #200478 (Universal White) is standard for the Challenger ST II Bodies & Options, unless an option notes otherwise...
- Specify on All Orders (Bodies, as well as Options) if they are to be Powder Coat, Finish Paint (Wet), or In Prime to avoid any confusion...
- Note: See Hitch Options for Factory Hitch mounting brackets to allow OEM Factory Hitch to work with Standard Body & Bumper. This option should be ordered at the same time as your body...**
- Reference "No wheel box application instructions" for "NWB" information..
- Bodies with the "NWB" Extension (No Wheel-boxes) are priced the same as those bodies with wheel boxes (Challenger ST II only).
- Note: See STAHL's Challenger ST II Body Specification Sheet / Literature for additional information.**

# Challenger ST II

## 110" CHALLENGER ST II BODIES (POWDER COATED - WHITE)

PART NUMBER	MODEL	FLOOR WIDTH	BODY LENGTH	COMPT. DEPTH	BODY WIDTH	BODY HEIGHT	APPROX. WEIGHT	CAB-TO-AXLE	REAR WHEEL	PRICE EACH
205678	CST110VVS	48.5"	110"	14"	78.5"	39.5"	1,110#	60"	Single	\$5,191
206155	CST110VST	48.5"	110"	14"	78.5"	42"	1,195#	60"	Single	\$7,009
205908	CST110VVD	48.5"	110"	20"	90.5"	39.5"	1,245#	60"	Dual	\$5,422
205916	CST110VVD	52.5"	110"	20"	96"	39.5"	1,280#	60"	Dual	\$5,477
206544	CST110VVDT	52.5"	110"	20"	96"	42"	1,375#	60"	Dual	\$7,362
206544-NWB	CST110VVDT-NWB	52.5"	110"	20"	96"	42"	1,375#	60"	Dual	\$7,362

- Supplemental Mounting kit is required for 2001-Current GM 60" and 84" cab-to-axle chassis. (see page 32)
- Supplemental Mounting kit is required for 2006-Current RAM 60" and 84" cab-to-axle chassis. (see page 32)
- Supplemental Mounting kit is required for 2017-Current Ford 60" and 84" cab-to-axle chassis. (see page 32)
- Reference "No wheel box application instructions" for "NWB" information..
- Bodies with the "NWB" Extension (No Wheel-boxes) are priced the same as those bodies with wheel boxes (Challenger ST II only).

## 134" CHALLENGER ST II BODIES (POWDER COATED - WHITE)

PART NUMBER	MODEL	FLOOR WIDTH	BODY LENGTH	COMPT. DEPTH	BODY WIDTH	BODY HEIGHT	APPROX. WEIGHT	CAB-TO-AXLE	REAR WHEEL	PRICE EACH
206161	CST134VVD	52.5"	134"	20"	96"	39.5"	1,465#	84"	Dual	\$6,877
206161-NWB	CST134VVD-NWB	52.5"	134"	20"	96"	39.5"	1,465#	84"	Dual	\$6,877

- Supplemental Mounting kit is required for 2001-Current GM 60" and 84" cab-to-axle chassis. (see page 32)
- Supplemental Mounting kit is required for 2006-Current RAM 60" and 84" cab-to-axle chassis. (see page 32)
- Supplemental Mounting kit is required for 2017-Current Ford 60" and 84" cab-to-axle chassis. (see page 32)
- Please contact Inside Sales for chassis/body applications for 1998 and older chassis.
- Aerial reinforcements are required for bodies that will be used with an aerial device.
- Off-road mounting kits are required for bodies to be used on uneven or unpaved terrain or with aerial devices without outriggers
- Above Bodies include Powder Coat (Universal White) within pricing...
- Powder Coat #200478 (Universal White) is standard for the Challenger ST II Bodies & Options, unless an option notes otherwise...
- Specify on All Orders (Bodies, as well as Options) if they are to be Powder Coat, Finish Paint (Wet), or In Prime to avoid any confusion...
- Reference "No wheel box application instructions" for "NWB" information..
- Bodies with the "NWB" Extension (No Wheel-boxes) are priced the same as those bodies with wheel boxes (Challenger ST II only).
- Note: See STAHL's Challenger ST II Body Specification Sheet / Literature for additional information.



# Challenger ST II

**Distributor Price List**  
Effective: January 1, 2020  
Revised: January 16, 2020

## ACCESSORIES

PART NUMBER	DESCRIPTION	APPLICATION	PRICE EACH	
			LOOSE	INSTALLED*
200944	Folding step assembly - large w/backer plate & hardware (Bolt-on)	To gain access to top of Highroof	\$85	\$112
228020	Grab handle assembly - Stainless steel (bolt-on). Includes a PAIR of grab handles, and for the installation of grab handles on body end panels, or inside rear High Roof doors.	To gain access to help enter load-space.	\$43	\$78
218947	Cover Plate Kit (Bolt-on), to cover access between horizontal & vertical compt. (1 cover plate per kit)	CST (S) Body - 39.5"H x 14"D	\$28	\$41
231161	Cover Plate Kit (Bolt-on), to cover access between horizontal & vertical compt. (1 cover plate per kit)	CST (SL) Body - 36"H x 14"D	\$28	\$41
216063	Cover Plate Kit (Bolt-on), to cover access between horizontal & vertical compt. (1 cover plate per kit)	CST (ST) Body (Top Pak) - 42"H x 14"D	\$28	\$41
208819	Cover Plate Kit (Bolt-on), to cover access between horizontal & vertical compt. (1 cover plate per kit)	CST (D) Body - 39.5"H x 20"D	\$28	\$41
210239	Cover Plate Kit (Bolt-on), to cover access between horizontal & vertical compt. (1 cover plate per kit)	CST (DT) Body (Top Pak) - 42"H x 20"D	\$28	\$41
231162	Cover Plate Kit (Bolt-on), to cover access between horizontal & vertical compt. (1 cover plate per kit)	CST (DL) Body - 36"H x 20"D	\$28	\$41

**\*Note: At time of printing "SPL" = Engineering Required, so lead times would be longer than standard product.**

\*Must specify installation location at time of order.

## ADAPTER PLUGS

PART NUMBER	DESCRIPTION	PRICE EACH	
		LOOSE	INSTALLED*
153739	Adapter plug (Generic CST Splice) - 2003-Current RAM 37", 56" CA	\$35	n/a
139702	Adapter plug - 2000-Current RAM 60", and 84" cab-to-axle	\$35	n/a
153738	Adapter plug - 2000-Current Ford 60" and 84" cab-to-axle, or 2011-Current Ford 40" CA and 56" CA Pick-up Box Delete*, or 2017-Current Ford 40" CA and 56" CA Pick-up Box Removal** w/Stahl Backup Camera Kit (Note that chassis BMC must be recalibrated at Ford dealer as needed) Recalibration cost not included.	\$35	n/a
189854	Adapter plug - 2008-2010 Ford 40" and 56" Pick-up Box Removal	\$35	n/a
204791	Adapter plug - 2011-2016 Ford 40" and 56" Pick-up Box Removal	\$35	n/a
228917	Adapter plug - 2017-2019 Ford 40" and 56" Pick-up Box Removal** applications without a Stahl Backup Camera Kit (Note that chassis BMC must be recalibrated at Ford dealer as needed) Recalibration cost not included.	\$35	n/a
235876	Adapter plug - 2020-Current Ford 40" and 56" Pick-up Box Removal** applications without a Stahl Backup Camera Kit (Note that chassis BMC must be recalibrated at Ford dealer as needed) Recalibration cost not included.	\$52	n/a
150803	Adapter plug - 2003-2006 GM 42", 56", 60" and 84" cab-to-axle (This is for a 3-light Chassis converted to a 2-light system for body or bumper)	\$83	n/a
153737	Adapter plug - 2007-2014 GM 42", 56", 60" and 84" cab-to-axle (Noting that Chassis BMC to be recalibrated at GM dealer, as needed). Recalibration is not included...	\$35	n/a
219755	Adapter plug - 2015 GM 42", 56", 60" and 84" cab-to-axle (Noting that Chassis BMC to be recalibrated at GM dealer, as needed for Pick-up Box Removal). Recalibration is not included...	\$52	n/a
225425	Adapter plug - 2016-Current GM 42", 56", 60" and 84" cab-to-axle (Noting that Chassis BMC to be recalibrated at GM dealer, as needed for Pick-up Box Removal). Recalibration is not included...	\$35	n/a
172537	Adapter plug - 2005-2009 GM (4500 & 5500 Only) Any cab-to-axle	\$35	n/a
233427	Adapter plug - 2019 GM 4500/5500 . Any cab-to-axle.	\$35	n/a
234924	Adapter plug - 2020 Chevy/GM 2500 and 3500 Pickup Box Delete, Pickup Box Removal, and chassis cab	\$35	n/a

\* Adapters must be used for all applications as light kits have wiring harnesses with STAHL plugs as standard.

\* Pick-Up Box Delete is defined as - Pick-up bed deleted at OEM chassis plant

\*\* Pick-up Box Removal is defined as - pick-up bed removed by upfitter/installer

# Challenger ST II

## BACK UP ALARMS

PART NUMBER	DESCRIPTION	APPLICATION	PRICE EACH	
			LOOSE	INSTALLED
123477	Back up alarm	All Challenger ST II bodies	\$44	\$117
189842	Back up alarm	All bodies (2008 - To Current Chevy/GM Only)	\$92	\$164

•Chevy/GM application require a Special Back up alarm due to circuit requirements.

## BACKUP CAMERA MOUNTING BRACKET KIT

PART NUMBER	CHASSIS	DESCRIPTION	PRICE EACH	
			LOOSE	INSTALLED
232556	FORD	Backup Camera Mounting Bracket Kit for Ford	\$94	n/a
232567	GM	Backup Camera Mounting Bracket Kit for GM	\$94	n/a
232578	RAM	Backup Camera Mounting Bracket Kit for Ram	\$94	n/a

•Backup Camera Mounting Bracket Kit only compatible with current CST tailgate design

•For vehicles with a GVWR under 10,000

## BACKUP CAMERA KIT

PART NUMBER	CHASSIS	APPLICATION	PRICE EACH	
			LOOSE	INSTALLED
233202	GM	Backup Camera with Mounting Bracket Kit for GM	\$311	\$678
233203	FORD	Backup Camera with Mounting Bracket Kit for Ford	\$723	\$1,092
234345	FORD	Backup Camera Harness Only with Mounting Bracket Kit for Ford (Must use box removal camera)	\$340	\$709
233204	RAM	Backup Camera with Mounting Bracket Kit for Ram	\$562	\$931

•Backup Camera Mounting Bracket Kit only compatible with current CST tailgate design

•If tailgate is to be deleted/removed to accommodate a liftgate, the backup camera kit should be ordered from the liftgate manufacturer

•For vehicles with a GVWR under 10,000

## BAR LOCKS - PUSH/PULL, REAR HANDLE

PART NUMBER	APPLICATION	PRICE EACH	
		LOOSE	INSTALLED
201871	CST82, CST98 and CST110 top-pak bodies w/drilling instructions	\$435	\$589
201194	CST82, CST98 and CST110 standard bodies w/drilling instructions	\$336	\$491
203584	CST134 top-pak bodies w/drilling instructions	\$509	\$680
201207	CST134 standard bodies w/drilling instructions	\$366	\$538

•Bar locks are push/pull style with handle at the rear of body. Installation Instructions provided for loose applications...

•Specify on order if bar lock option is to be installed, or shipped loose...

•Bar lock options work on both "V" and/or "C" type body sides.

•Bar locks do not lock lower rear doors on "C" type body sides.

•Bar locks are not compatible with SRW crane reinforcement applications due to crane mounting bolt interference

•Note: Top Pak Bodies require the bar lock kits to include gas shocks, ILO the standard spring-loaded door holders.

•Gas shocks only apply to vertical compartment applications...

•Note: Some standard options are not designed (as standard) to work with Bar Locks, Engineering maybe required.

## BRAKE CONTROLLER

PART NUMBER	DESCRIPTION	PRICE EACH	
		LOOSE	INSTALLED
902025	Electric Brake Controller (Kelsey #817141) - installed	n/a	\$290



# Challenger ST II

## BUMPERS

PART NUMBER	MODEL	MATERIAL	WIDTH	WEIGHT	PRICE EACH
					LOOSE
230165	Recessed	Galvanneal / Circle Punched Tread)	78 1/4"	67#	\$303
230174	Recessed	Galvanneal / Circle Punched Tread)	90 1/4"	75#	\$384
230190	Recessed	Galvanneal / Circle Punched Tread)	94 1/4"	81#	\$455

- All bumpers have marker/clearance light cutouts on the corners.
- All over 80" wide bumpers have ID light holes punched in the bumper riser.
- Note:** All Bumpers are pre-punched to work with (Surface Mounted) Combo S/T/T Light with Back-up Light.
  - Light Kits are NOT included with Bumpers...
- Note:** You must order separately a LED Light Kit (Surface Mounted), and Specify if it is to be loose or installed to Body, or Bumper.
- Bumper recessed is pre-punched for trailer plug. We supply one black trailer hole plug as standard.
- Bumper installation is covered with body install.
- Bumpers are not rated to tow anything without one of the towing options listed in the Hitch section.
- Bumpers are Powder Coated #200478 (Universal White) as Standard...
  - Specify on All Orders if they are to be Powder Coat, Finish Paint (Wet), or In Prime to avoid any confusion...
- Above Bumpers are 12 ga. galvanneal steel & are 10 1/8" deep, (8" deep step / 2 1/8" deep riser) w/45 degree corners.
- Mounting brackets are not included with a bumper (the mounting brackets are a standard part of the body).

## BUMPER ENDS (LIFTGATE PREP KITS)

(Deletes tailgate, adds Bumper Ends and chassis specific mounting brackets)

PART NUMBER	DESCRIPTION	BODY APPLICATION	PRICE PAIR	
			LOOSE	INSTALLED
SPL	Liftgate Prep Kit - CST82-48.5 - RAM	CST82 body mounted on 37"CA RAM	TBD	TBD
233071	Liftgate Prep Kit - CST82/98-48.5 Bodies (Incl. 228855-01/-02 Mounting Brackets)	Any CST82 or CST98 SRW body not using OEM hitch	\$56	\$228
233108	Liftgate Prep Kit - CST82/98-48.5 Bodies - Ford (Incl. 233070-01/-02 Mounting Brackets)	Any CST82 or CST98 SRW body on a 2017-Current Ford using OEM hitch	\$56	\$228
233109	Liftgate Prep Kit - CST82/98-48.5 Bodies - OEM Hitch (Incl. 233069-01/-02 Mounting Brackets)	Any CST82 or CST98 SRW body on a truck using OEM hitch	\$56	\$228
233075	Liftgate Prep Kit - CST98-52.5 Bodies (Incl. 228855-01/-02 Mounting Brackets)	Any CST98 DRW body not using OEM hitch	\$56	\$228
233110	Liftgate Prep Kit - CST98-52.5 Body - Ford (Incl. 228855-01/-02 Mounting Brackets)	Any CST98 DRW body on a 2017-Current Ford using OEM hitch	\$114	\$308
233111	Liftgate Prep Kit - CST98-52.5 - OEM Hitch (Incl. 233069-01/-02 Mounting Brackets)	Any CST98 DRW body on a truck using OEM hitch	\$114	\$308
233074	Liftgate Prep Kit - CST110-48.5 (Incl. 228831-01/-02 Mounting Brackets)	Any 60" CA SRW chassis-cab	\$56	\$228
233076	Liftgate Prep Kit - DRW-52.5 (Incl. 228831-01/-02 Mounting Brackets)	All 60" & 84" CA DRW Ford, RAM and GM wide track chassis-cab	\$114	\$308
233076	Liftgate Prep Kit - DRW-48.5 (Incl. 228831-01/-02 Mounting Brackets)	60" & 84" CA DRW GM narrow track chassis-cab	\$114	\$308

- All DRW kits include a light box for I.D. light installation.
- All Liftgate Prep Kits delete the body's standard tailgate.
- All Liftgate Prep Kits for trucks with OEM hitches provide the correct mounting brackets. Brackets do not have bumper attachments.
- Bumper Ends have circle-punched style step surface.
- Bumper Ends and I.D. Light Boxes are powder coated (#200478 - Universal White) as standard.
- Bumper Ends have marker/clearance light cutouts on the corners.
- Bumper Ends bolt-on to body rear end panels.

## BUMPER OPTION (BOLT-ON)

PART NUMBER	DESCRIPTION	PRICE EACH	
		LOOSE	INSTALLED
230447	Recessed Bumper Cover Panel Kit (Bolt-On), With Fasteners	\$59	n/a

- This option is to allow you to convert a recessed bumper to a straight bumper that is no longer available
- Bumper cover panel is pre-punched for trailer plug.
- Bumper option installation is covered with body install.
- Bumper Cover Panel is Powder Coated #200478 (Universal White) as Standard...
  - Specify on All Orders if they are to be Powder Coat, Finish Paint (Wet), or In Prime to avoid any confusion...
- Above Bumper cover panel is 12 ga. galvanneal steel.



# Challenger ST II

**Distributor Price List**  
 Effective: January 1, 2020

## COMPARTMENT STRIP LIGHT KITS - LED

PART NUMBER	DESCRIPTION	APPLICATION	PRICE PER BODY	
			LOOSE*	INSTALLED**
234347	LED compartment strip light kit with door jamb switches, for a (6) compartment "VV" body side applications	CST82", CST98, CST110 "VV" Bodies	\$528	\$929
234697	LED compartment strip light kit with door jamb switches, for a (6) compartment "CC" body side applications	CST82", CST98, CST110 "CC" Bodies	\$528	\$929
234722	LED compartment strip light kit with door jamb switches, for a (8) compartment "VV" body side applications	CST134 "VV" Bodies	\$695	\$1,156
234863	Lighted Rocker Switch Kit able to be used as a cab-mounted master switch for LED strip light kits when OEM upfitter switch is unavailable	All CST Bodies	\$33	\$128

•Note: Strip light kits ordered in conjunction with a Tank Compartment will require Engineering.

# Challenger ST II

## CRANE REINFORCEMENT (Built into Body Design)

PART NUMBER	DESCRIPTION	APPLICATION	REAR VERTICAL LOCATION	PRICE INSTALLED
206990	2000#-4000# compartment reinforcement	CST82VVS-48.5	Curbside	\$1,342
206518	2000#-4000# compartment reinforcement	CST98VVS-48.5	Curbside	\$1,342
207025	2000#-4000# compartment reinforcement	CST98VVS-48.5	Curbside	\$1,342
206929	2000#-4000# compartment reinforcement	CST98VVD-52.5	Curbside	\$1,342
206897	2000#-4000# compartment reinforcement	CST98VVD-52.5 (NWB)	Curbside	\$1,342
206940	2000#-4000# compartment reinforcement	CST110VVS-48.5	Curbside	\$1,342
206957	2000#-4000# compartment reinforcement	CST110VVD-48.5	Curbside	\$1,342
206650	2000#-4000# compartment reinforcement	CST110VVD-52.5	Curbside	\$1,342
206842	2000#-4000# compartment reinforcement	CST134VVD-52.5	Curbside	\$1,342
206868	2000#-4000# compartment reinforcement	CST134VVD-52.5 (NWB)	Curbside	\$1,342
226540	2000# floor reinforcement	CST98" Body w/48.5" Floor	Curbside	\$257
213088	2000# floor reinforcement	CST98" Body w/52.5" Floor	Curbside	\$257
213259	2000# floor reinforcement	CST110" / 134" Body w/48.5" Floor	Curbside	\$257
226538	2000# floor reinforcement	CST110" / 134" Body w/52.5" Floor	Curbside	\$257
SPL	2000# floor reinforcement	All other CST Bodies	Specify*	\$257
230301	5000# compartment reinforcement	CST110VVD-48.5	Curbside	\$1,958
207586	5000# compartment reinforcement	CST110VVD-52.5	Curbside	\$1,958
208275	5000# compartment reinforcement	CST110VVD-52.5 (NWB)	Curbside	\$1,958
211548	5000# compartment reinforcement	CST134VVD-52.5	Curbside	\$1,958
210860	5000# compartment reinforcement	CST134VVD-52.5 (NWB)	Curbside	\$1,958

- Crane reinforcements are built into the Body, so they are to be ordered with the Body at the same time...
- See above application notes for crane reinforcements on NWB type bodies...
- Crane reinforcements are Designed for STAHL Crane Applications ONLY (as standard).**
- Note: Pricing includes the deletion of any applicable trays from the required rear compartment.
- Note: As standard the adjustable boom support reinforcement is included with your crane reinforcement option, designed for STAHL Adjustable boom support
- Customer to specify/confirm location at time of order.
- Due to new surface mount light kits, the Taillight housings are no longer required.
- A 2000-4000# crane reinforcement will not support heavy duty manual or hydraulic outriggers. A 5000# minimum crane reinforcement is required.
- Bar locks are not compatible with SRW crane reinforcement applications due to crane mounting bolt interference**
- Standard Bumper will not work with a 5000# crane reinforcement, and must be Special Quoted by Inside Sales.
- Distributor is responsible for installation when not using STAHL outrigger, bumper, or hitch due to mounting issues.
- STAHL to provide bumper, and/or hitch mounting instructions for 5000# crane reinforcement applications. (As needed)
- STAHL Crane Reinforcements are designed for STAHL cranes, so Non-STAHL crane application may require a Special Crane Reinforcements, so please contact Inside Sales for those Non-STAHL crane application for Review & Pricing...
- Note that some standard options (like Bar Locks) are not designed (as standard) to work with a Crane Reinforcement, so please contact Inside Sales to confirm application and Special Pricing. (As needed)
- Crane reinforcements as standard are provided with a Solid "Top Plate with No Holes"...
- Crane reinforcements as standard are designed with the following ratings:
  - 2000# (Floor Only) Crane Reinforcement is rated at: 6,600 Ft. Lb.
  - 2000# - 4000# Crane Reinforcement is rated at: 16,000 Ft. Lb.
  - 5000# Crane Reinforcement is rated at: 25,000 Ft. Lb.
- Note: A Crane Reinforcement / Low Sliding Roof combination is NO LONGER AVAILABLE due to interference between the Crane and Low Sliding Roof.**
- Note: See "Crane Reinforcement Supplemental Mounting Kit Option for any (2017-Current) Ford CST82/98 type application...**
- Note: At time of printing "SPL" = Engineering Required, so lead-time would be longer than standard product.**

# Challenger ST II

## CRANE REINFORCEMENT SUPPLEMENTAL MOUNTING KIT

PART NUMBER	DESCRIPTION / APPLICATION	PRICE EACH	
		LOOSE	INSTALLED
229502	2017-Current Ford - Crane reinforcement supplemental mounting kit. Application: For CST82/98 Bodies.	\$94	n/a

•Required when ordering, building, and/or mounting a CST Body (with Crane Reinforcement) to fit a 2017-Current Ford application (CST82, or CST98).

•Note: This kit Add/Delete required rear mounting brackets and fasteners.

•Note: The Ford OEM Hitch can not be used with a crane reinforcement application, and they will have to use a STAHL Hitch.

## CRANE MOUNTING HOLES-Top Plate w/Holes (CST II application ONLY)

•See Crane Section

## DECK SLIDE (Bolt-on)

PART NUMBER	DESCRIPTION	APPLICATION	PRICE EACH	
			LOOSE	INSTALLED
203460	Pull-Out Deck Slide for Load-Space (94.31" long x 48" wide)	CST Body (98"Long x 48.5"Wide floor)	\$1,552	\$1,607

•Finish Painted (Wet) #134291 DTM (Black) is Standard for this Option and is included within the price.

•1000 pound maximum weight capacity evenly distributed. Do not exceed the GVWR of the Chassis.

•Steel Framing, composite UV resistant non-maintenance deck material, 4.25"H front flange at front of deck slide (above floor line).

•Maintenance free enclosed cam bearing slides.

•Full length FlexSmart channels on both sides to allow for optional attachments like tie-down rings, strapping, etc...

•Latches in three positions (closed, halfway open, and full extension). Provides 66.7" of maximum extension.

•Overall Sizes: 96" Long, 6" Height, 48" Width. Overall length fully extended: 161".

•Mounting fasteners are included for attaching to Challenger ST II.

•See Tie-Down (D-Ring) Pack (FlexSmart) Option for Deck Slide application.

# Challenger ST II

## DRAWER PACKAGES - MODULAR DESIGN (Bolt-on) VERTICAL COMPARTMENT WITH DIVIDERS - MODULAR DESIGN (Bolt-on)

PART NUMBER	DRAWER WIDTH / COMPARTMENT WIDTH	COMPARTMENT DEPTH	NO OF DIVIDERS PER DRAWER	DRAWER PACKAGE	PRICE EACH	
					LOOSE*	INSTALLED*
213644	14" Width / 21", & 21.41"	14"	4	(4) 3" and (1) 5"	\$1,098	\$1,189
214103	14" Width / 21", & 21.41"	14"	4	(3) 3" and (1) 5"	\$1,025	\$1,112
214312	14" Width / 21"	20"	4	(4) 3" and (1) 5"	\$1,098	\$1,189
214313	14" Width / 21"	20"	4	(3) 3" and (1) 5"	\$1,025	\$1,112
214368	17" Width / 24"	20"	4	(4) 3" and (1) 5"	\$1,098	\$1,189
214369	17" Width / 24"	20"	4	(3) 3" and (1) 5"	\$1,025	\$1,112
214211	22.5" Width / 29.81"	14"	4	(4) 3" and (1) 5"	\$1,098	\$1,189
214217	22.5" Width / 29.81"	14"	4	(3) 3" and (1) 5"	\$1,025	\$1,112
214310	22.5" Width / 29.81"	20"	4	(4) 3" and (1) 5"	\$1,098	\$1,189
214311	22.5" Width / 29.81"	20"	4	(3) 3" and (1) 5"	\$1,025	\$1,112
214163	26" Width / 33.44"	14"	6	(4) 3" and (1) 5"	\$1,098	\$1,189
214162	26" Width / 33.44"	14"	6	(3) 3" and (1) 5"	\$1,025	\$1,112
214308	26" Width / 33.44"	20"	6	(4) 3" and (1) 5"	\$1,098	\$1,189
214309	26" Width / 33.44"	20"	6	(3) 3" and (1) 5"	\$1,025	\$1,112

\*Must specify installation location at time of order.

- Note: Pricing includes the deletion of any applicable trays from the required compartment that the Drawer Package is added.
- An order with a Drawer Package should reflect "Delete" the required compartment trays (\$0.00)...
- Mounting fasteners are included for attaching to Challenger ST II Body (nuts and bolts fasteners).
- Drawer Packages for Vertical Compartment will have the first drawer starting at the compartment bottom offset & up from that point...
- Drawers are provided with divider slots on 2" centers (dividers every other slot).
- Note: All Challenger ST II compartment offsets from bottom of compartment to floor is: 14"...**
- Note: "LT" & "T" Body applications with a drawer package has an interference with Bar Lock Option if added...**

### MATERIAL GAUGES

- Drawer Housing 14 gauge high-spangled galvanized steel
- Drawers 14 gauge high-spangled galvanized steel
- Lower Support 12 gauge high-spangled galvanized steel
- Dividers are 16 gauge steel G60 min spangle chem. dry
- Top Cover Panel 14 gauge high-spangled galvanized steel

### SPECIFICATIONS

- Curbside or Streetside installation.
- Standard overall drawer depths of 11.56", & 17.56".
- Standard drawer height of 3" and 5".
- Package design as Stackable / Modular drawers, & Bolt-In...
- Vertical drawer packages are mounted in the upper portion of the compartment, above the offset.
- Drawers are arranged from the shortest to tallest, top to bottom.
- Vertical drawer packages 4 high (or more) include / require an upper support bracket kit that ties top drawer to the shelf clips.**
- (4)3", (1)5"-Drawer packages will fit (39.5"H, Non-Top Pak) bodies...
- (4)3", (1)5"-Drawer packages will fit (39.5"H, With Top Pak) bodies...
- (3)3", (1)5"-Drawer packages will fit (36"H, Non-Top Pak) bodies...
- (3)3", (1)5"-Drawer packages will fit (36"H, With Top Pak) bodies...
- Drawers have a 200 lbs. capacity evenly distributed, (Drawer weight included in the 200 lbs., so payload capacity near 175 lbs.).**
- Note: Drawers are to be in the closed/stowed position when vehicle is not parked.**
- Includes a Top Cover Panel, (1) per Drawer Package...

# Challenger ST II

## DRAWER PACKAGES - MODULAR DESIGN (Bolt-on) HORIZONTAL COMPARTMENT WITH DIVIDERS - MODULAR DESIGN (Bolt-on)

PART NUMBER	DRAWER WIDTH / COMPARTMENT WIDTH	APPLICATION & COMPARTMENT DEPTH	NO OF DIVIDERS PER DRAWER	DRAWER PACKAGE	PRICE EACH	
					LOOSE*	INSTALLED*
214691	39.5" Width / 47.19"	VS, VST, VSL, VSLT x 14"	8	(1) 3"	\$256	\$311
214689	39.5" Width / 47.19"	VS, VST, VSL x 14"	8	(2) 3"	\$512	\$623
214690	39.5" Width / 47.19"	VS x 14"	8	(3) 3"	\$769	\$934
214703	39.5" Width / 47.19"	VD, VDT, VDL, VDLT x 20"	8	(1) 3"	\$256	\$311
214704	39.5" Width / 47.19"	VD, VDT, VDL x 20"	8	(2) 3"	\$512	\$623
214705	39.5" Width / 47.19"	VD x 20"	8	(3) 3"	\$769	\$934

\*Must specify installation location at time of order.

•Note: Pricing includes the deletion of any applicable trays from the required compartment that the Drawer Package is added.

•An order with a Drawer Package should reflect "Delete" the required compartment trays (\$0.00)...

•Mounting fasteners are included for attaching to Challenger ST II Body (nuts and bolts fasteners).

•Drawer Packages for Horizontal Compartment have the first drawer starting at the compartment bottom & up from that point...

•Drawers are provided with divider slots on 2" centers (dividers every other slot).

### MATERIAL GAUGES

- Drawer Housing 14 gauge high-spangled galvanized steel
- Drawers 14 gauge high-spangled galvanized steel
- Lower Support 12 gauge high-spangled galvanized steel
- Dividers are 16 gauge steel G60 min spangle chem. dry
- Top Cover Panel 14 gauge high-spangled galvanized steel

### SPECIFICATIONS

- Curbside or Streetside installation.
- Standard overall drawer depths of 11.56", & 17.56".
- Standard drawer height of 3".
- Package design as Stackable / Modular drawers, & Bolt-In...
- Horizontal drawer packages are mounted to the compartment bottom.
- Drawers have a 200 lbs. capacity evenly distributed, (Drawer weight included in the 200 lbs., so payload capacity near 175 lbs.).
- Note: Drawers are to be in the closed/stowed position when vehicle is not parked.
- Includes a Top Cover Panel, (1) per Drawer Package...

### DRAWER DIVIDERS

PART NUMBER	DESCRIPTION	COMPARTMENT DEPTH	SIZE	PRICE EACH LOOSE
216486	Dividers for 3" high drawers	14"	2.75" H x 10.50" L	\$3
216489	Dividers for 3" high drawers	20"	2.75" H x 16.50" L	\$4
216488	Dividers for 5" high drawers	14"	4.75" H x 10.50" L	\$4
216491	Dividers for 5" high drawers	20"	4.75" H x 16.50" L	\$5

•Dividers are 16 gauge steel G60 min spangle chem. dry

# Challenger ST II

## FENDER KIT W/SCOOP (FOR CST 82" ONLY APPLICATION)

PART NUMBER	DESCRIPTION	PRICE EACH	
		LOOSE	INSTALLED
212707	CST82" RAM Fender kit w/Aluminum fuel fill (37"CA) with Front fuel fill cutout in Streetside fender panel, Curbside fender panel, & RAM Rear Mounting Brackets (Note: RAM Rear Mounting Brackets are shipped loose)	\$89	\$146
224864	CST82" RAM (Diesel Cap-Less) Fender kit w/2 Aluminum fuel fills (37"CA) with (1) "Gas" Front fuel fill cutout in Streetside fender panel, (1) "Diesel" Urea Front fuel fill cutout in Curbside fender panel, & RAM Rear Mounting Brackets (Note: RAM Rear Mounting Brackets are shipped loose)	\$126	\$240
212706	CST82" Ford Fender kit w/Aluminum fuel fill (40"CA) with Front fuel fill cutout in Streetside fender panel, & Curbside fender panel.	\$37	\$95
222372	CST82" Ford (Diesel) Fender kit w/ (2) Aluminum fuel fills (40"CA) with Dual (Front & Rear) fuel fill cutout in Streetside fender panel, & Curbside fender panel.. (Noting: that Streetside fender panel includes (1) Front "Gas" Fuel Fill, and (1) Rear "Diesel" Urea Fuel Fill).	\$74	\$188
212705	CST82" Chevy/GM Fender kit w/Aluminum fuel fill (42"CA) with Front fuel fill cutout in Streetside fender panel, & Curbside fender panel.	\$37	\$95

- All CST82" Bodies require CST82" Fender Kit (RAM = 37"CA, Ford = 40"CA, or GM = 42"CA) w/fuel fill to complete body assembly...
- Fender Kits include: SS Fender panel w/Fuel Cutouts, CS Fender panel, Alum. fuel fill(s), & RAM Rear Brackets (as needed)...
- Noting RAM (37"CA) Rear mounting brackets are provided ILO Standard Rear brackets if installed at STAHL (as needed)...
- Fender Kit must be ordered with the Body at the same time...
- Loose Pricing: Streetside & Curbside Fender panels are installed, Aluminum fuel fill(s) are shipped loose...
- Installed Pricing: Streetside & Curbside Fender panels are installed, and Aluminum fuel fill(s) are installed...
- Note: Ford Pick-up (Diesel) to have Dual cutouts in Streetside fender panel with Front Fuel Fill, and Rear Urea Fill...
- Note: RAM Pick-up (Diesel Cap-Less) to have Front "Gas" Fuel Fill in Streetside fender panel, and Front "Diesel" Urea Fill in Curbside fender panel...

## FENDER PANEL ASSEMBLY W/SCOOP

PART NUMBER	DESCRIPTION	APPLICATION	PRICE EACH	
			LOOSE	INSTALLED
186140-01	CST Fender Panel Assembly with (1) Aluminum fuel fill / Sugar Scoop "Front Location"	Streetside (1) Front Fuel Fill (For a 56"CA application) Also note: For a Ford F-350, SRW, 60"CA <Under 10,000# GVW> applications...	\$40	\$101
186140-02	CST Fender Panel Assembly with (2) Aluminum fuel fill / Sugar Scoop "Dual = Front & Rear Location"	Streetside (2) Dual "Front & Rear" Fuel Fill (For a Chevy/GM - Up to a 3500 60" or 84"CA applications)	\$79	\$202
186140-03	CST Fender Panel Assembly with (1) Aluminum fuel fill / sugar Scoop "Rear Location"	Streetside (1) Rear Fuel Fill (For a Ford <Over 10,000# GVW> 60" or 84"CA applications, and/or For a RAM 60" or 84"CA applications)	\$39	\$101
186140-04	CST Fender Panel Assembly with "NO Fuel Fill / Sugar Scoop. Provided as Standard with all CST Bodies	Both the Streetside and Curbside Fender Panel Assemblies are provide with NO Cutout (and/or NO Fuel Fill, and NO Urea Fill) as Standard and are included with the All CST Bodies	NA	NA
186140-05	CST Fender Panel Assembly with (1) Aluminum fuel fill / Sugar Scoop = "Front Location", and (1) Aluminum fuel fill / Urea Scoop = "Rear Location"	Streetside (1) Front Fuel Fill and (1) Rear Urea Fill (For a Ford Diesel Pick-up / 56"CA applications)	\$79	\$202
186140-06	CST Fender Panel Assembly with (1) Aluminum fuel fill / Urea Scoop = "Rear Location" if Streetside (Noting this would be a Front location when used on the Curbside)...	Streetside (1) Rear Urea Fuel Fill , but would be Curbside Front in this application. (For a Ford Diesel Cab Chassis that have Dual Fuel Tanks and is "Diesel" using #186140-02 for the Streetside, and would require this "Curbside Front Urea" applications, and/or For a RAM Diesel Cap-Less Pick-up that is "Diesel Cap-Less" using #186140-01 for the Streetside, and would require this "Curbside Front Urea" applications)	\$40	\$101
186140-07	CST Fender Panel Assembly with (1) Aluminum fuel fill / Urea Scoop = "Front Location", and (1) Aluminum fuel fill / Sugar Scoop = "Rear Location"	Streetside (1) Front Urea Fuel Fill and (1) Rear Fuel Fill (For a Ford Diesel Cab Chassis applications)	\$79	\$202
234934	CST Fender Panel Kit with Curbside Fender with no cutouts or fuel fills and Streetside Fender with Aluminum fuel fill / Sugar Scoop "Front Location"	2020 Chevy/GM with 55"CA	\$40	\$101
235011	CST Fender Panel Kit with Curbside and Streetside Fender having no cutouts or fuel fills	2021 Chevy/GM with 55"CA	\$0	\$0

- Add/Delete Streetside (and/or Curbside) Fender Panels to provide the required Fender Panel Assembly w/Scoop for your application...
- Fender Panel Assembly w/Scoop include: (1) Fender panel w/Fuel Cutouts and noted Gas, or Urea Aluminum fuel fills (as needed)...
- Loose Pricing: Streetside (and/or Curbside) Fender panel are installed, Aluminum fuel fill(s) are shipped loose...
- Installed Pricing: Streetside (and/or Curbside) Fender panel are installed, and Aluminum fuel fill(s) are installed...
- STAHL recommends Powder Coated Units be ordered with Fender Panel Assembly "Installed" (for your specific chassis application)...

# Challenger ST II

## FUEL FILL (Aluminum Sugar Scoop)

PART NUMBER	DESCRIPTION	PRICE EACH	
		LOOSE	INSTALLED
171578	Aluminum fuel fill and gasket	\$40	N/A
221049	Aluminum Urea fill and gasket (2011-Current Ford Diesel Only)	\$40	N/A

\*221049 Aluminum Urea may be ordered (Optional) for a 2011-Current Ford Diesel Only ILO the Ford supplied Urea fill...

•Note that some applications may require a Supplemental Ford Fuel Hose kit.

## FUEL FILL "DEF" BRACKET KIT (Bolt-on)

PART NUMBER	DESCRIPTION / APPLICATION	PRICE EACH	
		LOOSE	INSTALLED
229408	Supplemental Fuel fill "DEF" bracket kit (2017-Current) Ford Diesel 60"CA Only	\$45	\$73
235343	Supplemental Fuel fill "DEF" bracket kit (2020-Current) GM Diesel 42" CA thru 84"CA	\$45	\$73

•Note: This kit will replace the need for a DEF (or UREA) fuel fill location in the fenders when used...

•Note: Bracket mounted to Streetside Front End Panel due to Rear Fuel Tank Option on Chassis.

•The tank will be located Streetside front between the frame rails for DRW Trucks with a rear Fuel Tank.

•Rear Fuel Tanks are standard on all Ford DRW Cab Chassis' (60/84" CA).

•Note: Bracket mounted to Curbside Front End Panel due to Mid-Ship Fuel Tank Option on Chassis.

•The tank will be located curbside front OUTSIDE the frame rails for mid-ship fuel tank applications.

•Fuel tanks are required to be mid-ship for all SRW Ford 60"CA Trucks due to fuel integrity and crash testing.

•Mid-Ship Fuel Tanks are optional for Ford DRW Cab Chassis' (60/84" CA).

## HEADACHE RACKS - PUNCHED (BOLT-ON)

PART NUMBER	DESCRIPTION	FLOOR WIDTH	RACK HEIGHT	APPLICATION		WEIGHT	PRICE EACH	
				CHASSIS	HEIGHT		LOOSE	INSTALLED
231751	Punched Headache Rack	48.5"	18.00"	GM universal, or Ram Pickup	Standard	35	\$469.00	\$523.00
231717	Punched Headache Rack	52.5"	18.00"	GM universal, or Ram Pickup	Standard	35	\$469.00	\$523.00
231752	Punched Headache Rack	48.5"	21.25"	Ford universal, or Ram Chassis Cab	Standard	38	\$469.00	\$523.00
				GM universal, or Ram Pickup	Low Boy			
231753	Punched Headache Rack	52.5"	21.25"	Ford universal, or Ram Chassis Cab	Standard	38	\$469.00	\$523.00
				GM universal, or Ram Pickup	Low Boy			
231757	Punched Headache Rack	48.5"	24.75"	Ford universal, or Ram Chassis Cab	Low Boy	41	\$469.00	\$523.00
231758	Punched Headache Rack	52.5"	24.75"	Ford universal, or Ram Chassis Cab	Low Boy	41	\$469.00	\$523.00

•Headache Racks are Powder Coated #200478 (Universal White) as Standard...

•Specify on All Orders if they are to be Powder Coat, Finish Paint (Wet), or In Prime to avoid any confusion...

•See Paint Options Section if Headache Rack is NOT to be provided Powder Coated (Universal White) for pricing...

•Note: Some standard options (like: Low Sliding Roof, Ladder Racks, Add-On Top Paks, Tank Compartments, & Highroof, etc...) are NOT designed (as standard) to work with a Headache Rack, so please contact Inside Sales to confirm application and Special Pricing. (As needed)

•Note: Headache Racks (See above "Application" information) to help convey how to select the correct Headache Rack based off the following Factors: Chassis, Body Height "Low Boy" vs. "Standard". Three available Rack Height are needed...

•Headache Rack Specifications:

•12 gauge galvanized Headache Rack panels, and gussets.

•With stainless steel mounting fasteners, and sealing washers to secure Headache Racks to service body.

•All Headache Racks are pre-punched to allow visibility of Chassis Cab CHSML Light.



# Challenger ST II

## HIGHROOF (installed part numbers)

PART NUMBER	INSIDE HEIGHT	BODY APPLICATION	ROOF WEIGHT	PRICE EACH	
				LOOSE	INSTALLED
224851	53"	82" long / 14" deep compts. / 39.5" high / 48.5" floor	427#	\$2,418	\$2,873
222161	53"	98" long / 14" deep compts. / 39.5" high / 48.5" floor	487#	\$2,513	\$2,967
223865	60"	98" long / 14" deep compts. / 39.5" high / 48.5" floor	538#	\$2,626	\$3,067
224468	53"	98" long / 20" deep compts. / 39.5" high / 52.5" floor	531#	\$2,751	\$3,205
223532	60"	98" long / 20" deep compts. / 39.5" high / 52.5" floor	577#	\$2,858	\$3,313
223209	60"	110" long / 14" deep compts. / 39.5" high / 48.5" floor	540#	\$2,756	\$3,210
224521	74"	110" long / 14" deep compts. / 39.5" high / 48.5" floor	661#	\$3,110	\$3,563
224562	60"	110" long / 20" deep compts. / 39.5" high / 48.5" floor	623#	\$2,994	\$3,446
223465	74"	110" long / 20" deep compts. / 39.5" high / 48.5" floor	762#	\$3,489	\$3,941
222684	60"	110" long / 20" deep compts. / 39.5" high / 52.5" floor	648#	\$3,031	\$3,485
222369	74"	110" long / 20" deep compts. / 39.5" high / 52.5" floor	778#	\$3,565	\$4,018
223269	60"	134" long / 20" deep compts. / 39.5" high / 52.5" floor	722#	\$3,325	\$3,779
223047	74"	134" long / 20" deep compts. / 39.5" high / 52.5" floor	868#	\$3,938	\$4,393
CRATE		Crate for Highroof shipped loose		\$586	N/A

- Customer to provide chassis information to help determine correct application:
  - Year, Make, Model, GVW, (SRW or DRW), (4x2 / 4x4), (Gas / Diesel), Engine size, & Cab-to-Axle...
- Above Highroof part numbers are for installed applications, and must be ordered with body at the same time.
- Highroof pricing includes Pricing for Powder Coat (Universal White).
- Powder Coat #200478 (Universal White) is standard for STAHL products, unless an option notes otherwise...
- Specify on All Orders (Bodies, as well as Options) if they are to be Powder Coat, Finish Paint (Wet), or In Prime to avoid any confusion...
- Highroof is not recommended for low profile bodies, but are available upon request...
- 60" & 74" Highroof heights are only available for a Chassis application that has "Over 10,000# GVW".
- Note: See Under 10,001 GVW Chassis / Highroof Application Guideline (Longbeds)...**
- Note:** Highroof Pricing includes the standard STAHL rear LED ID light kit w/harness on all Under & Over 80" wide bodies...
- Note:** Highroof do NOT work with Top Pak Bodies.
- Note:** Highroof Pricing (Installed) includes the deduction of slam-action tailgate from the base body...
- Note:** Highroof work with All Challenger ST II Bodies: "VV, CC, CV, & VC" Application. This would also include bodies With or Without "NWB" extension (No Wheel box).
- Note:** Some Highroof options may require the Highroof to go through Engineering (#SPL), depending on the application, and/or added Highroof Options (i.e. Side Doors, Side Windows, etc.)
- Note:** See STAHL Challenger ST II Highroof Specification Sheet for additional Information...
- Note:** A Highroof loose application will require Engineering (#SPL).

# Challenger ST II

## UNDER 10,001 GVW CHASSIS / HIGHROOF APPLICATION GUIDELINE (LONGBEDS)

FORD TRUCKS WITH 8' BEDS				
MODEL	TYPE (4X2, 4X4, or Both)	CAB TYPE	GAS / DIESEL	MAX HEIGHT HIGHROOF
Ford F-250	Both	Regular Cab	Both	37" Highroof
Ford F-250	Both	Super Cab	Both	57" Highroof
Ford F-250	4X2	Crew Cab	Both	57" Highroof
Ford F-250	4X4	Crew Cab	Both	37" Highroof
Ford F-350	Both	Regular Cab	Both	37" Highroof
Ford F-350	Both	Super Cab	Both	57" Highroof
Ford F-350	4X2	Crew Cab	Both	57" Highroof
Ford F-350	4X4	Crew Cab	Both	37" Highroof

GM TRUCKS WITH 8' BEDS				
MODEL	TYPE (4X2, 4X4, or Both)	CAB TYPE	GAS / DIESEL	MAX HEIGHT HIGHROOF
GM 2500 C/K25903	Both *	Regular Cab *	Both *	46" Highroof
GM 2500 C/K25953	Both	Extended Cab	Gas	46" Highroof
GM 2500 C/K25953	Both	Extended Cab	Diesel	NONE
GM 2500 C/K25943	Both	Crew Cab	Gas	46" Highroof
GM 2500 C/K25943	Both	Crew Cab	Diesel	NONE
GM 3500 <10,001 GVW	Both	ALL	Both	NONE

\*Note: (\*) = C25903 that is (4X2) with (6.0L Vortec V-\*) and Exactly 10,000 GVW, Highroof "NOT PERMITTED!..."

RAM TRUCKS WITH 8' BEDS				
MODEL	TYPE (4X2, 4X4, or Both)	CAB TYPE	GAS / DIESEL	MAX HEIGHT HIGHROOF
RAM 2500	Both	Regular Cab	Both	60" Highroof
RAM 2500	Both	Crew Cab	5.7L Gas	60" Highroof
RAM 2500	4X2	Crew Cab	6.4L Gas	60" Highroof
RAM 2500	4X4	Crew Cab	6.4L Gas	53" Highroof
RAM 2500	Both	Crew Cab	6.7L Diesel	NONE

•Each manufacturer now uses the following to judge what is allowed and what is not:

- Center of Gravity
- Frontal Area
- Maximum Unloaded Vehicle Weight

•When calling with application questions, please have: Cab Type, Drive (4X2 or 4X4), GVWR, and Engine RPO available.

•Note: GM Shortbeds (42"CA / CST82 Bodies) will have to be handled Case-By-Case.

•Note: Please note that Trucks OVER 10,001 GVWR are currently NOT affected.

•Note: The above Chassis / Highroof Guideline ONLY applies to Under 10,001 GVW Chassis application (Longbed Trucks)...

•Note: Highroof Heights shown are maximum allowable...

•Note: Standard Highroof Heights are: 53", 60", and 74"...

•Note: Any other Highroof Heights are custom and would require Engineering (#SPL)...

•Contact your Inside Sales Representative for pricing on your Custom Height Highroof...

•Note: Floor to top of compartment on a Challenger ST II (Standard Height) is 25.5", so a 37" Highroof adds 11.5"...

•Note: On SRW trucks (Over 10,001 GVW), do NOT exceed 60" Highroof Height without consulting Inside Sales / Engineering...



# Challenger ST II

**Distributor Price List**  
Effective: January 1, 2020

## HIGHROOF OPTIONS

PART NUMBER	DESCRIPTION	APPLICATION	PRICE EACH	
			LOOSE	INSTALLED
SPL	Delete rear doors from Highroof	All Highroof	n/a	(\$138)
232557	Bulkhead without window, ILO Std. Bulkhead with window	53" Highroof w/48.5" floor	n/a	(\$47)
224392	Bulkhead without window, ILO Std. Bulkhead with window	53" Highroof w/52.5" floor	n/a	(\$47)
223585	Bulkhead without window, ILO Std. Bulkhead with window	60" Highroof w/48.5" floor	n/a	(\$47)
SPL	Bulkhead without window, ILO Std. Bulkhead with window	60" Highroof w/52.5" floor	n/a	(\$47)
SPL	Bulkhead without window, ILO Std. Bulkhead with window	74" Highroof w/48.5" floor	n/a	(\$47)
224357	Bulkhead without window, ILO Std. Bulkhead with window	74" Highroof w/52.5" floor	n/a	(\$47)
225946-01	Add (1) Conduit Door Kit mounted on Streetside rear panel of Highroof. Located just above the compartment top.	All (53" Highroof) with 14" deep compartments	n/a	\$217
225946-02	Add (1) Conduit Door Kit mounted on Curbside rear panel of Highroof. Located just above the compartment top.	All (53" Highroof) with 14" deep compartments	n/a	\$217
234287-01	Add (1) Conduit Door Kit mounted on Streetside rear panel of Highroof. Located just above the compartment top.	All (53" Highroof) with 20" deep compartments	n/a	\$217
234287-02	Add (1) Conduit Door Kit mounted on Curbside rear panel of Highroof. Located just above the compartment top.	All (53" Highroof) with 20" deep compartments	n/a	\$217
223866-01	Add (1) Conduit Door Kit mounted on Streetside rear panel of Highroof. Located just above the compartment top.	All (60" Highroof) with 14" deep compartments	n/a	\$217
223866-02	Add (1) Conduit Door Kit mounted on Curbside rear panel of Highroof. Located just above the compartment top.	All (60" Highroof) with 14" deep compartments	n/a	\$217
223339-01	Add (1) Conduit Door Kit mounted on Streetside rear panel of Highroof. Located just above the compartment top.	All (60" Highroof) with 20" deep compartments	n/a	\$217
223339-02	Add (1) Conduit Door Kit mounted on Curbside rear panel of Highroof. Located just above the compartment top.	All (60" Highroof) with 20" deep compartments	n/a	\$217
224626-01	Add (1) Conduit Door Kit mounted on Streetside rear panel of Highroof. Located just above the compartment top.	All (74" Highroof) with 20" deep compartments	n/a	\$217
224626-02	Add (1) Conduit Door Kit mounted on Curbside rear panel of Highroof. Located just above the compartment top.	All (74" Highroof) with 20" deep compartments	n/a	\$217
222668	(2) Load-space LED dome lights, with switch on light and (2) mounting brackets, with (1) #169603 recessed switch and cup assembly	All Highroof	\$228	\$296
223335	(1) Load-space LED dome lights, with switch on light and (1) mounting brackets, with (1) #169603 recessed switch and cup assembly	All Highroof	\$139	\$183
228033	(1) Load-space LED dome light, with switch on light and (1) mounting bracket	All Highroof	\$89	\$114
169603	(1) Recessed switch and cup assembly with (1) mounting bracket	All Highroof	\$52	\$67

**\*Note: At time printing "SPL" = Engineering Required, so lead-time would be longer than standard product.**



# Challenger ST II

**Distributor Price List**  
**Effective: January 1, 2020**

## HIGHROOF OPTIONS

PART NUMBER	DESCRIPTION	APPLICATION	PRICE EACH	
			LOOSE	INSTALLED
230869	Door Screen Assembly - 16 gauge punched metal - Each window. Includes fasteners.	Rear door window	n/a	\$98
164920	Screen - 16 gauge punched metal - each window	Side window	n/a	\$98
213270	Left rear door without window	53" Highroof w/48.5" floor	n/a	(\$47)
213269	Right rear door without window	53" Highroof w/48.5" floor	n/a	(\$47)
213477	Left rear door without window	53" Highroof w/52.5" floor	n/a	(\$47)
213478	Right rear door without window	53" Highroof w/52.5" floor	n/a	(\$47)
216689	Left rear door without window	60" Highroof w/48.5" floor	n/a	(\$47)
216690	Right rear door without window	60" Highroof w/48.5" floor	n/a	(\$47)
208358	Left rear door without window	60" Highroof w/52.5" floor	n/a	(\$47)
208359	Right rear door without window	60" Highroof w/52.5" floor	n/a	(\$47)
<b>SPL</b>	Left rear door without window	74" Highroof w/48.5" floor	n/a	(\$47)
<b>SPL</b>	Right rear door without window	74" Highroof w/48.5" floor	n/a	(\$47)
213153	Left rear door without window	74" Highroof w/52.5" floor	n/a	(\$47)
213154	Right rear door without window	74" Highroof w/52.5" floor	n/a	(\$47)
<b>SPL</b>	Rear door window (extra - one is standard)	All Highroof	n/a	\$108

•Note: At time printing "SPL" = Engineering Required, so lead-time would be longer than standard product.



# Challenger ST II

**Distributor Price List**  
**Effective: January 1, 2020**

## HIGHROOF OPTIONS

PART NUMBER	DESCRIPTION	APPLICATION	PRICE EACH	
			LOOSE	INSTALLED
SPL	Lift-up side doors in roof, 2 per side (one side - must call out quantity of 2 for both sides) (Ref.: #207397)	CST98S w/60" Highroof	n/a	\$681
SPL	Lift-up side doors in roof, 2 per side (one side - must call out quantity of 2 for both sides) (Ref.: #207141)	CST98D w/60" Highroof	n/a	\$681
227965	Lift-up side doors in roof, 2 per side (one side - must call out quantity of 2 for both sides)	CST110S w/60" Highroof	n/a	\$681
SPL	Lift-up side doors in roof, 2 per side (one side - must call out quantity of 2 for both sides) (Ref.: #207476)	CST110S w/74" Highroof	n/a	\$681
233363	Lift-up side doors in roof, 2 per side (one side - must call out quantity of 2 for both sides)	CST110D w/60" Highroof	n/a	\$681
229119	Lift-up side doors in roof, 2 per side (one side - must call out quantity of 2 for both sides)	CST110D w/74" Highroof	n/a	\$681
230228	Lift-up side doors in roof, 2 per side (one side - must call out quantity of 2 for both sides)	CST134D w/60" Highroof	n/a	\$681
231867	Lift-up side doors in roof, 2 per side (one side - must call out quantity of 2 for both sides)	CST134D w/74" Highroof	n/a	\$681
SPL	Four (4) 8" x 32" non-opening side windows (2 per side)	All Highroof	\$459	\$654
224869	Window Kit: Four (4) 8" x 32" non-opening side windows in Highroof, (2 per side of roof)	CST82S w/53" Highroof	\$430	\$654
224601	Window Kit: Four (4) 8" x 32" non-opening side windows in Highroof, (2 per side of roof)	CST98S w/53" Highroof	\$430	\$654
224603	Window Kit: Four (4) 8" x 32" non-opening side windows in Highroof, (2 per side of roof)	CST98S w/60" Highroof	\$430	\$654
224605	Window Kit: Four (4) 8" x 32" non-opening side windows in Highroof, (2 per side of roof)	CST98D w/53" Highroof	\$430	\$654
224654	Window Kit: Four (4) 8" x 32" non-opening side windows in Highroof, (2 per side of roof)	CST98D w/60" Highroof	\$430	\$654
224674	Window Kit: Four (4) 8" x 32" non-opening side windows in Highroof, (2 per side of roof)	CST110S w/60" Highroof	\$430	\$654
224676	Window Kit: Four (4) 8" x 32" non-opening side windows in Highroof, (2 per side of roof)	CST110S w/74" Highroof	\$430	\$654
224688	Window Kit: Four (4) 8" x 32" non-opening side windows in Highroof, (2 per side of roof)	CST110D w/60" Highroof	\$430	\$654
224691	Window Kit: Four (4) 8" x 32" non-opening side windows in Highroof, (2 per side of roof)	CST110D w/74" Highroof	\$430	\$654
224784	Window Kit: Four (4) 8" x 32" non-opening side windows in Highroof, (2 per side of roof)	CST134D w/60" Highroof	\$430	\$654
224777	Window Kit: Four (4) 8" x 32" non-opening side windows in Highroof, (2 per side of roof)	CST134D w/74" Highroof	\$430	\$654

•Note: Side windows and Lift-up Side Access Door options ordered together for a Highroof application will require Engineering...

•Note: Lift-up Side Access Door options for a 53" Highroof are NOT available as standard, but can be special quoted upon request. Please contact your Inside Sales Representative for pricing.

•Note: At time printing "SPL" = Engineering Required, so lead-time would be longer than standard product.

# Challenger ST II

## HITCHES (Bolt-on)

PART NUMBER	DESCRIPTION	APPLICATION	PRICE EACH	
			LOOSE	INSTALLED
144155	Bolt-on ball hitch plate for recessed bumper	Recessed bumpers	\$57	\$97
235025	Receiver Hitch - 2" Class III/IV	Recessed bumpers	\$238	\$315
232771	Trailer Plug - 7-Way	Recessed bumpers	\$20	\$65
232772	Trailer Plug - 6-Way	Recessed bumpers	\$20	\$65
209721	Hitch Asm, 2.5" Class 5 (V) Bolt-on	Recessed bumpers	\$659	\$740
209737	Adapter - 2.5" to 2.0" Tube (Converts a 2.5 Receiver Hitch to a 2.0" Receiver Hitch)	Use with 2.5" - Class 5 (V) Receiver Hitch Reinf. Asm	\$32	\$40
932004	Pintle Hook (15 Ton) Model #PH15 (Bolt-on) Rigid Mount. Pintle Capacity: 6,000# Maximum vertical load / tongue weight, 30,000# Maximum gross trailer weight. Reinforcement required for mounting on bumper.		\$80	\$158
224905	Pintle hitch reinforcement for recessed bumpers (loose); 60" & 84"CA cab-to-axle 34" frames only. Required for mounting Pintle hitch on bumper. Includes 1/2" "D" rings as standard, with fasteners.		\$273	\$409
224912	Pintle hitch reinforcement for recessed bumpers (loose); For 42" wide frame only. Required for mounting Pintle hitch on bumper. Includes 1/2" "D" rings as standard, with fasteners.		\$273	\$409

- Finish Painted (Wet) #134291 DTM (Black) is Standard for above (In house manufactured) Options and is included within the price.
- Note:** Any above (Purchased) above Options are Finish Painted (Black) as standard from supplier.
- Bolt-on Ball Hitch Plate Assembly (#144155) capacity: 500# tongue weight / 5,000# trailer weight.
- 2.0" Receiver Hitch Reinforcement Assemblies are Class III / IV with a capacity: 1,000# tongue weight / 10,000# trailer weight.
- 7 way connector is round with a flat-prong - RV style. 6 way connector is round-pin.
- 2.5" Receiver Hitch Reinforcement Assemblies are Class 5 (V) with a capacity: 2,000# tongue weight / 15,000# trailer weight.
- Pintle hitch reinforcement (#224905 & #224912) capacity: 3,000# vertical load / tongue weight, 20,000# trailer weight.
- Note:** See Hitch Options for Factory Hitch mounting brackets to allow OEM Factory Hitch to work with Standard Body & Bumper. This option should be ordered at the same time as your body...
- Please note that various hitches are NOT designed to work together. Like a Ball Hitch Plate and a Receiver hitch.
- See Crane Section of your Price Book for Optional Outrigger (Bolt-On) & Bumpers designed to work together.
- Note:** Pintle Hook Model information is subject to change without notice / Reference Only. Equivalent will be supplied.
- Note:** Factory hitch must be used on all 2017-Current 56" CA Ford Chassis

▲ Standard Challenger ST II bodies & options - all others are non-standard and have longer lead-times.

# Challenger ST II

## HITCHES (Bolt-on)

PART NUMBER	DESCRIPTION	APPLICATION	PRICE EACH	
			LOOSE	INSTALLED
159300-03, ILO Std. Rear Brackets	Factory Hitch mounting brackets (allow for the use of GM and Ford factory hitches with Challenger ST II service bodies). For (2003-2010) Chassis applications. *Note: 159301 hitch adapter is also required for GM factory hitches. *Note: Only works with recess bumpers. <Ordered with Body at Same Time (ILO Standard Bumper Mounting Brackets) #228846-01 & -02 Current Rear Mounting Brackets> Loose, or Installed - if Body is ordered Installed.		No Charge	No Charge
159300-03	Factory Hitch mounting brackets (allow for the use of GM and Ford factory hitches with Challenger ST II service bodies). For (2003-2010) Chassis applications. *Note: 159301 hitch adapter is also required for GM factory hitches. *Note: Only works with recess bumpers. <Ordered Separately "Not Ordered with Body">		\$56	n/a
230904-03, ILO Std. Rear Brackets	Factory Hitch mounting brackets (allow for the use of GM, and Ford factory hitches with Challenger ST II service bodies). For (2011-Current) GM Chassis, and (2011-2016) Ford Chassis applications. *Note: 159301 hitch adapter is also required for GM factory hitches. *Note: Only works with recess bumpers. <Ordered with Body at Same Time (ILO Standard Bumper Mounting Brackets) #228846-01 & -02 Current Rear Mounting Brackets> Loose, or Installed - if Body is ordered Installed.		No Charge	No Charge
230904-03	Factory Hitch mounting brackets (allow for the use of GM and Ford factory hitches with Challenger ST II service bodies). For (2011-Current) GM Chassis, and (2011-2016) Ford Chassis applications. *Note: 159301 hitch adapter is also required for GM factory hitches. *Note: Only works with recess bumpers. <Ordered Separately "Not Ordered with Body">		\$56	n/a
228800-03, ILO Std. Rear Brackets	Factory Hitch mounting brackets (allow for the use of Ford factory hitches with Challenger ST II service bodies). For (2017-Current) Chassis applications (Box Delete and/or Box Removal). *Note: The Ford OEM Hitch must be used with this set of OEM Brackets, as it does not have a provision for an aftermarket hitch. *Note: Only works with recess bumpers. <Ordered with Body at Same Time (ILO Standard Bumper Mounting Brackets) #228846-01 & -02 Current Rear Mounting Brackets> Loose, or Installed - if Body is ordered Installed.		No Charge	No Charge
228800-03	Factory Hitch mounting brackets (allow for the use of Ford factory hitches with Challenger ST II service bodies). For (2017-Current) Chassis applications (Box Delete and/or Box Removal). *Note: The Ford OEM Hitch must be used with this set of OEM Brackets, as it does not have a provision for an aftermarket hitch. *Note: Only works with recess bumpers. <Ordered Separately "Not Ordered with Body">		\$94	n/a
234921-03, ILO Std. Rear Brackets	Factory Hitch mounting brackets for 2020 GM/Chevy 42"CA and 55"CA applications. Loose or installed with new body order.		No Charge	No Charge
234921-03	Factory Hitch mounting brackets for 2020 GM/Chevy 42"CA and 55"CA applications. <Ordered Separately "Not Ordered with Body">		\$56	n/a
159301	(2003-2016) GM factory hitch adapter - must use #159300-03 (2003-2010) OEM Hitch mounting brackets and/or #230904-03 (2011-2016) OEM Hitch mounting brackets		\$43	\$105

- Finish Painted (Wet) #134291 DTM (Black) is Standard for above (In house manufactured) Options and is included within the price.
- Note:** Any above (Purchased) above Options are Finish Painted (Black) as standard from supplier.
- Note:** See Hitch Options for Factory Hitch mounting brackets to allow OEM Factory Hitch to work with Standard Body & Bumper. This option should be ordered at the same time as your body...
- Please note that various hitches are NOT designed to work together. Like a Ball Hitch Plate and a Receiver hitch.
- Note:** Factory hitch must be used on all 2017-Current 56" CA Ford Chassis



# Challenger ST II

**Distributor Price List**  
 Effective: January 1, 2020

## HOOKS - SWIVEL "J" HOOKS (Bolt-on)

PART NUMBER	DESCRIPTION	APPLICATION (MTG PLATE WIDTH / COMPT WIDTH)	PRICE EACH	
			LOOSE	INSTALLED*
SPL	(1) Hook Assembly with (2) 4" Swivel "J"-shaped hooks on mounting plate	Mounts to shelf brackets. 9.31" Width / 13.41" wide compartment	\$103	\$153
213833	(1) Hook Assembly with (3) 4" Swivel "J"-shaped hooks on mounting plate	Mounts to shelf brackets. 16.88" Width / 21" wide compartment	\$153	\$201
SPL	(1) Hook Assembly with (3) 4" Swivel "J"-shaped hooks on mounting plate	Mounts to shelf brackets. 17.38" Width / 21.41" wide compartment	\$153	\$201
SPL	(1) Hook Assembly with (3) 4" Swivel "J"-shaped hooks on mounting plate	Mounts to shelf brackets. 20.00" Width / 24" wide compartment	\$153	\$201
210956	(1) Hook Assembly with (4) 4" Swivel "J"-shaped hooks on mounting plate	Mounts to shelf brackets. 16.88" Width / 21" wide compartment	\$203	\$252
SPL	(1) Hook Assembly with (4) 4" Swivel "J"-shaped hooks on mounting plate	Mounts to shelf brackets. 17.38" Width / 21.41" wide compartment	\$203	\$252
SPL	(1) Hook Assembly with (4) 4" Swivel "J"-shaped hooks on mounting plate	Mounts to shelf brackets. 20.00" Width / 24" wide compartment	\$203	\$252
210378	(1) Hook Assembly with (4) 4" Swivel "J"-shaped hooks on mounting plate	Mounts to shelf brackets. 25.69" Width / 29.81" wide compartment	\$203	\$252
213096	(1) Hook Assembly with (4) 4" Swivel "J"-shaped hooks on mounting plate	Mounts to shelf brackets. 29.38" Width / 33.44" wide compartment	\$203	\$252
SPL	(1) Hook Assembly w/(1) 4" Swivel "J"-shaped hook	Individual mount	\$50	\$99

- Mounting fasteners are included for attaching to Challenger ST II Body (nuts and bolts fasteners).
- **Note: At time of printing "SPL" = Engineering Required, so lead-time would be longer than standard product.**

## INSTALLATION (Body)

PART NUMBER	DESCRIPTION	APPLICATION	PRICE EACH INSTALLATION
INSTALL	Factory Installation of CST Body	82" / 98" Challenger ST II	\$605
INSTALL	Factory Installation of CST Body	110" Challenger ST II	\$633
INSTALL	Factory Installation of CST Body	134" Challenger ST II	\$662

- Installation includes installing the following (actual products are priced separately):
  - Body - loose (order separately)
  - Bumper - loose (order separately)
  - Adaptor Plug - loose (order separately)
  - Light Kit - installed (order separately)
  - Alum. Fuel Fill - installed (order separately)
  - Various Supp. Kits - loose (order separately)
- Temporary mounting is not available due to chassis manufacturer requirements.

## INSTALLATION (Chassis Modification)

PART NUMBER	DESCRIPTION	APPLICATION	PRICE EACH INSTALLATION
MOD	Dealer to Modify Chassis to re-set computer for lighting requirements	82" / 98" Challenger ST II (GM/Chevy, Ford, pick up box removal applications) *See notes below for more details...	\$325

- **Note:** The above part number "MOD" applies to the following:
  - GM/Chevy (2007-Current) pick-up box removal applications
  - Ford (2017-Current) pick-up box removal applications (see Ford SVE Bulletin #Q-261R1)
  - RAM (2006-Current) pick-up box removal application
- **Note:** STAHL to take to a local Dealer to reset chassis computer to work with STAHL body light kit



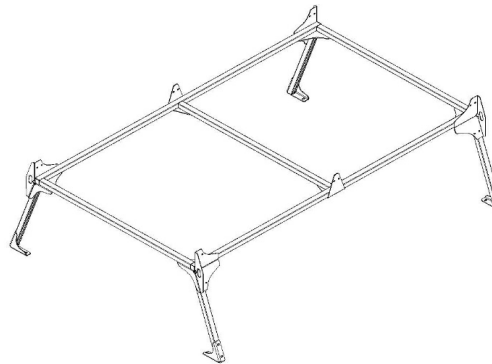
# Challenger ST II

## LADDER RACK - OVERHEAD (Bolt-on - FlexStrut Channel Construction)

PART NUMBER	DESCRIPTION	APPLICATION	PRICE EACH	
			LOOSE	INSTALLED
213248	Bow Type Ladder Rack (Spans Load-Space) 25.76" High	CST82 w/48.5" wide floor	\$602	\$722
208929	Bow Type Ladder Rack (Spans Load-Space) 25.76" High	CST98 w/48.5" or 52.5" floor	\$602	\$722
213338	Bow Type Ladder Rack (Spans Load-Space) 25.76" High	CST110 w/48.5" or 52.5" floor	\$602	\$722
211780	Bow Type Ladder Rack (Spans Load-Space) 25.76" High	CST134 w/48.5" or 52.5" floor	\$602	\$722
203011	Tie-Down Kit: (8) "D-Ring" Tie-Downs with fasteners for use on above ladder racks.	All FlexStrut Channel ladder racks	\$40	n/a

- Finish Painted (Wet) #134291 DTM (Black) is Standard for this Option and is included within the price.
- 1000 pound maximum weight capacity evenly distributed. Do not exceed the GVWR of the Vehicle.
- Constructed of FlexSmart channels allowing for optional tie-down rings, strapping. Multiple tie off point for different sizes of material.
- Overall Sizes once assembled: 32" High, 74" Wide at base, 27" from compartment top to top of horizontal crossbars.
  - Inside clearance between legs is: 61.4" (between mounting brackets).
- Mounting fasteners are included for attaching to Challenger ST II Body. Installation Instructions to be provided for loose applications.
- Note: None of the above Ladder Racks are designed for a 4500, or 5500 Chassis application. Additional Height is required...

Ref.: Image shows #208929

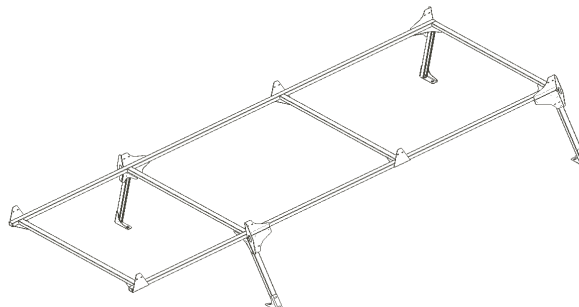


## LADDER RACK - OVERCAB (Bolt-on - FlexStrut Channel Construction)

PART NUMBER	DESCRIPTION	APPLICATION	PRICE EACH	
			LOOSE	INSTALLED
230715-82	Bow Type Ladder Rack (Spans Load-Space) 25.76" High	CST82 w/48.5" wide floor	\$673	\$818
230715-98	Bow Type Ladder Rack (Spans Load-Space) 25.76" High	CST98 w/48.5" or 52.5" floor	\$673	\$818
230715-110	Bow Type Ladder Rack (Spans Load-Space) 25.76" High	CST110 w/48.5" or 52.5" floor	\$673	\$818
230715-134	Bow Type Ladder Rack (Spans Load-Space) 25.76" High	CST134 w/48.5" or 52.5" floor	\$673	\$818
203011	Tie-Down Kit: (8) "D-Ring" Tie-Downs with fasteners for use on above ladder racks.	All FlexStrut Channel ladder racks	\$40	n/a

- Finish Painted (Wet) #134291 DTM (Black) is Standard for this Option and is included within the price.
- 1000 pound maximum weight capacity evenly distributed. Do not exceed the GVWR of the Vehicle.
- Constructed of FlexSmart channels allowing for optional tie-down rings, strapping. Multiple tie off point for different sizes of material.
- Overall Sizes once assembled: 32" High, 74" Wide at base, 27" from compartment top to top of horizontal crossbars.
  - Inside clearance between legs is: 61.4" (between mounting brackets).
- Mounting fasteners are included for attaching to Challenger ST II Body. Installation Instructions to be provided for loose applications.
- Note: None of the above Ladder Racks are designed for a 4500, or 5500 Chassis application. Additional Height is required...

Ref.: Image shows #230715-98



# Challenger ST II

## LADDER RACK - OVERHEAD OPTIONS (FlexSmart Channel LDR)

PART NUMBER	DESCRIPTION	APPLICATION	PRICE EACH	
			LOOSE	INSTALLED*
201292	Awning 8' w/Manual crank, Carmel Fade Vinyl fabric	Mounts to CST98 w/48.5" or 52.5" floors. Must be ordered with Ladder Rack (Overhead) FlexSmart Channel	\$1,392	\$1,454
201296	Pipe / Conduit Tube Holder Assembly (6" Dia. PVC x 10'L)	Mounts to CST98/CST110 w/48.5" or 52.5" floors. Must be ordered with Ladder Rack (Overhead) FlexSmart Channel	\$274	\$298
201306	Outside Work Light Assembly with harness	Mounts to Any CST Body. Must be ordered with Ladder Rack (Overhead) FlexSmart Channel	\$157	\$186

- \*300 pound maximum weight capacity for the Pipe / Conduit Tube Holder Assembly. Do not exceed the GVWR of the Vehicle.
- \*Mounting fasteners are included for attaching to FlexSmart System (combo nuts and bolts FlexSmart fasteners).
- \*Above Ladder Rack Options are only valid on the Ladder Rack (Overhead and Overcab) made from FlexSmart channels.
- \*Must specify installation location (curbside / streetside, etc...) at time of order.

## LADDER RACK - SIDE MOUNT (BODY) COMPARTMENT TOP (Bolt-on)

PART NUMBER	DESCRIPTION	APPLICATION	PRICE EACH	
			LOOSE	INSTALLED*
210577	Single Side (Side Mount)	All CST98 and CST110 bodies	\$535	\$614

- \*Powder Coated #200478 (Universal White) is Standard for this Option and is included within the price.
- \*Side Mount Ladder include (2) Ladder Rails that are approximately 2" x 4.5" x 120" long.
- \*Installation location must be specified at time of order. Curbside, or Streetside for side mounted ladder rack.
- \***Note:** Side Mount Ladder Rack is not current designed to work with Low Sliding Roof Option. Contact Engineering to confirm...

## LADDER RACKS - HIGHROOF APPLICATIONS (Bolt-on)

PART NUMBER	DESCRIPTION	APPLICATION	PRICE EACH	
			LOOSE	INSTALLED
205744	Side-mount ladder rack (adjustable) *	All 53" & 60" Highroof (For 98", 110", 134" bodies)	\$723	\$900
224987	Side-mount ladder rack (adjustable) *	All 74" Highroof (For 98", 110", 134" bodies)	\$723	\$900
224436	Roof-top ladder rack with 2 bows	w/48.5 floor	\$435	\$560
225117	Roof-top ladder rack with 2 bows	w/52.5 floor	\$435	\$560
223499	Roof-top ladder rack with 3 bows	w/48.5 floor	\$490	\$617
223223	Roof-top ladder rack with 3 bows	w/52.5 floor	\$490	\$617

- \*Powder Coated #200478 (Universal White) is Standard for this Option and is included within the price.
- \*Installation location must be specified at time of order. Curbside, or Streetside for side mounted ladder rack.



# Challenger ST II

Distributor Price List  
 Effective: January 1, 2020

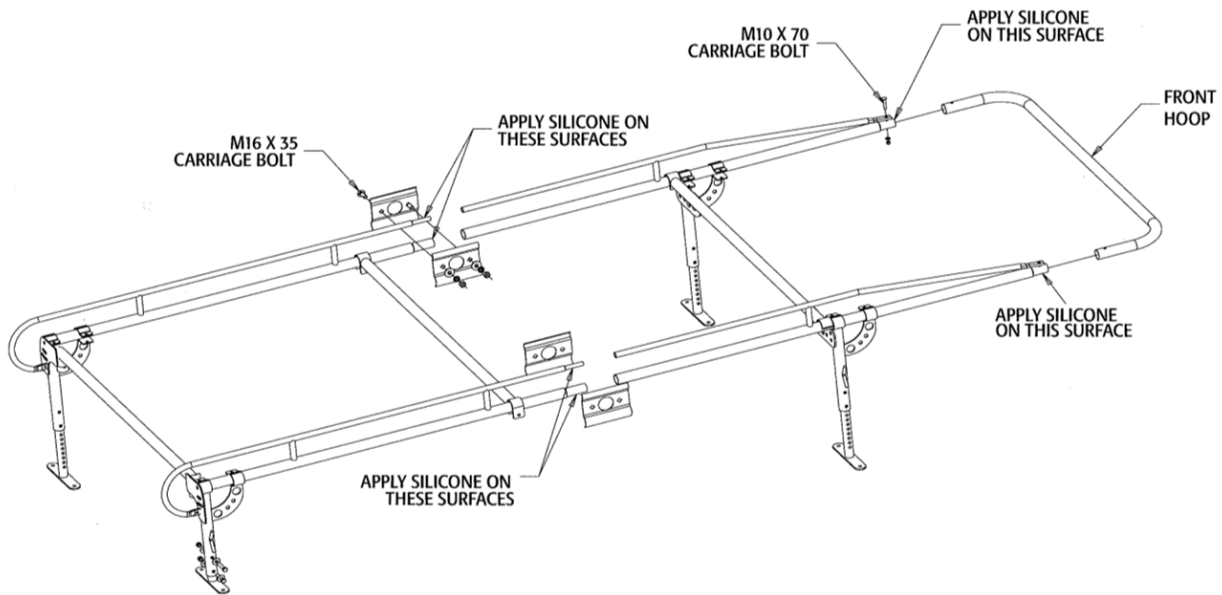
## LADDER RACK - OVERCAB (Bolt-on)

PART NUMBER	DESCRIPTION	BODY LENGTH	PRICE EACH	
			LOOSE	INSTALLED
230605-98	Ladder Rack/Overcab Spans load space, extends overcab	98"	\$689	\$830
230605-110	Ladder Rack/Overcab Spans load space, extends overcab	110"	\$730	\$870
230605-134	Ladder Rack/Overcab Spans load space, extends overcab	134"	\$730	\$870

- Note: Specify on order if Ladder Rack is shipped loose or installed
- Note: Not compatible with Top Pak bodies. FlexStrut Overcab Ladder Rack must be used for Top Pak application (see pg. 25).

### SPECIFICATIONS

- Finish Painted (Black) "Wrinkle" finish powder coat with rust inhibitor
- 1,000 lb. cargo load capacity.
- 13.5' overall length with standard cab front bow (for a 98" and 110")
- 14.5' overall length with standard cab front bow (for a 134")
- 1-7/8" Dia. 16 gauge steel tube construction.
- Removable rear crossbar for easy access to load-space area.
- 62" between side rails.
- Bolted construction for simple assembly.
- Adjustable height (21-30") for multiple chassis / body applications.
- Note:** Will NOT currently work with Top Paks
- Is compatible with low sliding roofs.
- Weight: 155 lb. (for a 98" and 110")
- Weight: 159 lb. (for a 134")





# Challenger ST II

**Distributor Price List**  
**Effective: January 1, 2020**

## LIGHT KITS - LED (SURFACE MOUNTED)

PART NUMBER	DESCRIPTION	BODY APPLICATION	PRICE EACH	
			LOOSE	INSTALLED
230523	Under 80" LED (Surface Mounted) Light kit - For installation to: Service Body rear end panels	All CST Bodies Under 80" in width (14" deep compartments with 48.5" floors type application)	\$238	\$330
230522	Over 80" LED (Surface Mounted) Light kit - For installation to: Service Body rear end panels	All CST Bodies Over 80" in width (14" deep compartments with 52.5" floors, or 20" deep compartments with 48.5" or 52.5" floors type applications)	\$331	\$439
230525	Under 80" LED (Surface Mounted) Light kit - For installation to: Bumper riser surface	All CST Bumpers Under 80" in width (14" deep compartments with 48.5" floors type application)	\$238	\$330
230524	Over 80" LED (Surface Mounted) Light kit - For installation to: Bumper riser surface	All CST Bumpers Over 80" in width (14" deep compartments with 52.5" floors, or 20" deep compartments with 48.5" or 52.5" floors type applications)	\$331	\$439

- All light kits are a 1-light system (Surface Mounted)
- Combo S/T/T Light with Back-up Light are oval in shape (Surface Mounted), and Clearance Lights are 0.75" Dia. in size.
- Wiring harness has a STAHL plug as standard, so an Adapter Plug is required for your specific Chassis Application.
- Over 80" wide bodies have front clearance light holes punched as standard.
- Installation instructions provided for the noted STAHL Challenger CST Body (Rear End Panel) application, or a STAHL Challenger CST Bumper (Riser surface area) applications (as listed above).
- Note: All lights within this LED Light Kit are LED.**
- Note: Specify on orders that LED Light Kit (Surface Mounted) is to be loose or installed and specify to Body, or Bumper.**

## LIGHT KITS - AMBER STROBE - LED (SURFACE MOUNTED)

PART NUMBER	DESCRIPTION	BODY APPLICATION	PRICE EACH	
			LOOSE	INSTALLED
230748	Amber Strobe LED (Surface Mounted) Light kit - For installation to: Service Body rear end panels	All CST Bodies.	\$105	\$163
230749	Amber Strobe LED (Surface Mounted) Light kit - For installation to: Bumper riser surface	All CST Bumpers.	\$105	\$163

- All Amber Strobe LED Light Kits include 2 surface-mount lights
- This strobe light kit is designed to work with standard surface mounted light kits
- Installation instructions provided for the noted STAHL Challenger CST Body (Rear End Panel) application, or a STAHL Challenger CST Bumper (Riser surface area) applications (as listed above).
- Note: Specify on orders the Strobe Light Kit (Surface Mounted) is to be loose or installed and specify to Body, or Bumper.**

# Challenger ST II

## LINER (SPRAY-ON) RHINO

PART NUMBER	DESCRIPTION	BODY APPLICATION	PRICE EACH INSTALLED
222832	RHINO (Black Only) Spray-on Liner for Load-Space floor only	CST82-48.5 Challenger ST II Body	\$517
222832	RHINO (Black Only) Spray-on Liner for Load-Space floor only	CST98-48.5 & CST98-52.5 Challenger ST II Bodies	\$537
222832	RHINO (Black Only) Spray-on Liner for Load-Space floor only	CST110-48.5 & CST110-52.5 Challenger ST II Bodies	\$551
222832	RHINO (Black Only) Spray-on Liner for Load-Space floor only	CST134-48.5 & CST134-52.5 Challenger ST II Bodies	\$686
222832	RHINO (Black Only) Spray-on Liner for Load-Space Floor, both Side Walls, Bulkhead, and Tailgate inside surface	CST82-48.5 Challenger ST II Body	\$766
222832	RHINO (Black Only) Spray-on Liner for Load-Space Floor, both Side Walls, Bulkhead, and Tailgate inside surface	CST98-48.5 & CST98-52.5 Challenger ST II Bodies	\$809
222832	RHINO (Black Only) Spray-on Liner for Load-Space Floor, both Side Walls, Bulkhead, and Tailgate inside surface	CST110-48.5 & CST110-52.5 Challenger ST II Bodies	\$835
222832	RHINO (Black Only) Spray-on Liner for Load-Space Floor, both Side Walls, Bulkhead, and Tailgate inside surface	CST134-48.5 & CST134-52.5 Challenger ST II Bodies	\$1,003
222832	RHINO (Black Only) Spray-on Liner for Load-Space Floor, both Side Walls, Bulkhead, Tailgate inside surface, and Compartment Top Both Sides	CST82-48.5 Challenger ST II Body	\$851
222832	RHINO (Black Only) Spray-on Liner for Load-Space Floor, both Side Walls, Bulkhead, Tailgate inside surface, and Compartment Top Both Sides	CST98-48.5 & CST98-52.5 Challenger ST II Bodies	\$926
222832	RHINO (Black Only) Spray-on Liner for Load-Space Floor, both Side Walls, Bulkhead, Tailgate inside surface, and Compartment Top Both Sides	CST110-48.5 & CST110-52.5 Challenger ST II Bodies	\$959
222832	RHINO (Black Only) Spray-on Liner for Load-Space Floor, both Side Walls, Bulkhead, Tailgate inside surface, and Compartment Top Both Sides	CST134-48.5 & CST134-52.5 Challenger ST II Bodies	\$1,157
222832	RHINO (Black Only) Spray-on Liner for Compartment Top only - both sides	CST82-48.5 Challenger ST II Body	\$482
222832	RHINO (Black Only) Spray-on Liner for Compartment Top only - both sides	CST98-48.5 & CST98-52.5 Challenger ST II Bodies	\$515
222832	RHINO (Black Only) Spray-on Liner for Compartment Top only - both sides	CST110-48.5 & CST110-52.5 Challenger ST II Bodies	\$523
222832	RHINO (Black Only) Spray-on Liner for Compartment Top only - both sides	CST134-48.5 & CST134-52.5 Challenger ST II Bodies	\$650

- Note:** Above RHINO Spray-on Liner Options are not be used together...
- Call your Inside Sales Representative for Pricing for RHINO Spray-on Liner Option needs if not listed...
  - RHINO Spray-on Liner #222832 (Universal Black) is the ONLY color STAHL plans on offering...
  - Specify Liner application requirement at time of call...
- Please note that added options / features can impact the pricing for the RHINO, so convey this information at time of call...

# Challenger ST II

## LINER (SPRAY-ON) UL1000

PART NUMBER	DESCRIPTION	BODY APPLICATION	PRICE EACH	
			LOOSE	INSTALLED*
200585	UL1000 (Black, or White) Spray-on Liner for Load-Space floor only	CST82-48.5 Challenger ST II Body		\$446
200585	UL1000 (Black, or White) Spray-on Liner for Load-Space floor only	CST98-48.5 & CST98-52.5 Challenger ST II Bodies		\$465
200585	UL1000 (Black, or White) Spray-on Liner for Load-Space floor only	CST110-48.5 & CST110-52.5 Challenger ST II Bodies		\$478
200585	UL1000 (Black, or White) Spray-on Liner for Load-Space floor only	CST134-48.5 & CST134-52.5 Challenger ST II Bodies		\$593
200585	UL1000 (Black, or White) Spray-on Liner for Load-Space Floor, both Side Walls, Bulkhead, and Tailgate inside surface	CST82-48.5 Challenger ST II Body		\$663
200585	UL1000 (Black, or White) Spray-on Liner for Load-Space Floor, both Side Walls, Bulkhead, and Tailgate inside surface	CST98-48.5 & CST98-52.5 Challenger ST II Bodies		\$700
200585	UL1000 (Black, or White) Spray-on Liner for Load-Space Floor, both Side Walls, Bulkhead, and Tailgate inside surface	CST110-48.5 & CST110-52.5 Challenger ST II Bodies		\$723
200585	UL1000 (Black, or White) Spray-on Liner for Load-Space Floor, both Side Walls, Bulkhead, and Tailgate inside surface	CST134-48.5 & CST134-52.5 Challenger ST II Bodies		\$868
200585	UL1000 (Black, or White) Spray-on Liner for Load-Space Floor, both Side Walls, Bulkhead, Tailgate inside surface, and Compartment Top Both Sides	CST82-48.5 Challenger ST II Body		\$736
200585	UL1000 (Black, or White) Spray-on Liner for Load-Space Floor, both Side Walls, Bulkhead, Tailgate inside surface, and Compartment Top Both Sides	CST98-48.5 & CST98-52.5 Challenger ST II Bodies		\$801
200585	UL1000 (Black, or White) Spray-on Liner for Load-Space Floor, both Side Walls, Bulkhead, Tailgate inside surface, and Compartment Top Both Sides	CST110-48.5 & CST110-52.5 Challenger ST II Bodies		\$830
200585	UL1000 (Black, or White) Spray-on Liner for Load-Space Floor, both Side Walls, Bulkhead, Tailgate inside surface, and Compartment Top Both Sides	CST134-48.5 & CST134-52.5 Challenger ST II Bodies		\$1,001
200585	UL1000 (Black, or White) Spray-on Liner for Compartment Top only - both sides	CST82-48.5 Challenger ST II Body		\$415
200585	UL1000 (Black, or White) Spray-on Liner for Compartment Top only - both sides	CST98-48.5 & CST98-52.5 Challenger ST II Bodies		\$445
200585	UL1000 (Black, or White) Spray-on Liner for Compartment Top only - both sides	CST110-48.5 & CST110-52.5 Challenger ST II Bodies		\$453
200585	UL1000 (Black, or White) Spray-on Liner for Compartment Top only - both sides	CST134-48.5 & CST134-52.5 Challenger ST II Bodies		\$562

- Note: Above UL1000 Spray-on Liner Options are not be used together...
- Call your Inside Sales Representative for Pricing for UL1000 Spray-on Liner Option needs if not listed...
  - UL1000 Spray-on Liner #200585 (Universal Black, or White) \*Specify at time of order...
  - UL1000 Spray-on Liner (#214609) "Colors" are available, if needed then Please Call for Pricing...
    - Specify Liner Color needed and application requirement at time of call...
- UL1000 will dry down to provide a 10-12 mil thickness...
- Please note that added options / features can impact the pricing for the UL1000, so convey this information at time of call...

## LOUVERS

PART NUMBER	DESCRIPTION	PRICE EACH	
		LOOSE	INSTALLED*
233361	Louwer for venting body panel (6.25" x 6.25" x 16 gauge) w/(4) 4" louvers, bolts & nuts	\$33	N/A
233362	Louwer for venting body panel (6.25" x 6.25" x 16 gauge) w/(4) 4" louvers, huck bolts	N/A	\$97

- \*Location must be specified at time of order.
- Note: Louwer option (if installed) requires body to be modified, this option must be order with the Body at the same time.



# Challenger ST II

**Distributor Price List**  
**Effective: January 1, 2020**

## LOW SLIDING ROOF (Bolt-on)

PART NUMBER	DESCRIPTION	APPLICATION	WEIGHT	PRICE EACH	
				LOOSE	INSTALLED
232881	Two-Section Low Sliding Roof	CST82 std. ht. bodies with 48.5" floors, slam-action tailgate	216#	\$1,444	\$1,750
232798	Two-Section Low Sliding Roof	CST98 std. ht. bodies with 48.5" floors, slam-action tailgate	221#	\$1,444	\$1,750
232870	Two-Section Low Sliding Roof	CST98 low boy bodies with 48.5" floors, slam-action tailgate	216#	\$1,531	\$1,854
232871	Two-Section Low Sliding Roof	CST98 std. ht. bodies with 52.5" floors, slam-action tailgate	232#	\$1,564	\$1,873
232873	Two-Section Low Sliding Roof	CST110 std. ht. bodies with 48.5" floors, slam-action tailgate	240#	\$1,579	\$1,888
232875	Two-Section Low Sliding Roof	CST110 std. ht. bodies with 52.5" floors, slam-action tailgate	256#	\$1,703	\$2,009
232879	Two-Section Low Sliding Roof	CST134 std. ht. bodies with 52.5" floors, slam-action tailgate	301#	\$2,310	\$2,801
CRATE	Crate for low sliding roofs shipped loose (one required)			\$586	N/A

•Low Sliding Roof Features and Specifications:

- Powder Coated #200478 (Universal White) is Standard for this Option and included within the price.
- 14 gauge galvaneal rear flap.
- 16 gauge galvaneal roof front section, and rear section.
- Steel rollers on track
- Rear section slides under front section when low sliding roof is open.
- Positive close and hold-open locking mechanism.
- Rear Flap - two point slam-locking, removable and features locking rotary latch .
- A low sliding roof can be field mounted by matching drilling holes and bolting the roof to the body.
- A low sliding roof is weather resistant, but not waterproof.
- Note:** A Crane Reinforcement / Low Sliding Roof combination is NO LONGER AVAILABLE due to interference between the Crane and Low Sliding Roof.

# Challenger ST II

## MOUNTING KITS - Supplemental body mounting

PART NUMBER	CHASSIS MODEL	APPLICATION	PRICE EACH	
			LOOSE	INSTALLED
208481	GM	2001-Current GM 3500 mounting kit for 60" and 84" cab-to-axle cab chassis applications. Required when ordering, or mounting a CST Body for a GM Cab Chassis.	\$145	n/a
235031	GM/ International	2019-Current GM MD / International CV (4500, 5500 chassis) mounting kit for 60" and 84" cab-to-axle cab chassis applications (Orderd with a new body) Note: standard CST mounting bracket kit #153695-100 to be deleted on order.	n/c	n/c
184502-60CA	RAM	2006-Current RAM mounting kit for 60" cab-to-axle cab chassis applications. Required when ordering, or mounting a CST Body for a RAM Cab Chassis.	\$95	n/a
184502-84CA	RAM	2006-Current RAM mounting kit for 84" cab-to-axle cab chassis applications. Required when ordering, or mounting a CST Body for a RAM Cab Chassis.	\$95	n/a
228813	Ford	2017-Current Ford mounting kit for 60" and 84" cab-to-axle cab chassis applications. Required when ordering, building, or mounting a CST Body for a FordCab Chassis.	\$115	n/a

## MOUNTING KITS - Supplemental fuel fill

PART NUMBER	CHASSIS MODEL	APPLICATION	PRICE EACH	
			LOOSE	INSTALLED
152854	RAM	2003-2006 Pickup box removal fuel fill kit - gas	\$493	n/a
215894	RAM	2007-2011 Pickup box removal fuel fill kit - gas	\$338	n/a
213313	RAM	2012-Current Pickup box removal fuel fill kit - gas	\$727	n/a
152855	RAM	2003-2013 Pickup box removal fuel fill kit - diesel	\$727	n/a
224595	RAM	2014-Current Pickup box removal fuel fill kit - diesel "due to Cap-Less System"	\$890	\$1,017
149248	GM	2001-2003 Pickup box removal fuel fill kit - diesel	\$427	n/a
157521	GM	2004-2010 Pickup box removal fuel fill kit - gas	\$258	n/a
164236	GM	2004-2010 Pickup box removal fuel fill kit - diesel	\$309	n/a
158172-G	GM	2004-2010 Cab Chassis (60" & 84" CA) fuel fill kit - gas	\$93	n/a
158172-D	GM	2004-2010 Cab Chassis (60" & 84" CA) fuel fill kit - diesel	\$215	n/a
206860	GM	2011-2013 Pickup box removal fuel fill kit - gas	\$472	n/a
206861	GM	2011-2013 Pickup box removal fuel fill kit - diesel	\$472	n/a
233473	GM	2014-Current Pickup box removal fuel fill kit - gas (includes fuel fill cap)	\$450	n/a
233472	GM	2014-Current Pickup box removal fuel fill kit - diesel (includes fuel fill cap)	\$506	n/a
206863	GM	2011-Current Cab Chassis (60" & 84" CA) fuel fill kit - gas	\$229	n/a
206862	GM	2011-Current Cab Chassis (60" & 84" CA) fuel fill kit - diesel	\$240	n/a
137610	Ford	1999-2004 Pickup box removal hose kit - gas (Ref #1C3Z9B149-FA)	\$727	n/a
137610	Ford	1999-2010 Pickup box removal hose kit - diesel (Ref #1C3Z9B149-EA)	\$727	n/a
183160	Ford	2005-2010 Ford Pick-up box removal and/or box delete hose kit - 56"CA - gas	\$247	n/a
206945	Ford	2011-2016 Pickup box removal fuel fill kit - gas	\$555	n/a
206946	Ford	2011-2016 Pickup box removal fuel fill kit - diesel	\$673	n/a
229676	Ford	2017-Current Pickup box removal fuel fill kit - gas	\$151	n/a
229677	Ford	2017-Current Pickup box removal fuel fill kit - diesel	\$247	n/a

- Fuel fill (#183160) works on 2005-2010 Ford Pickup box removal and pick-up delete applications, not Cab chassis applications.
- GM cab chassis applications do NOT apply to C4500 and larger applications.
- No 2005-2010 Ford diesel hose kit available for Pick-up box removal and/or box delete applications.

## OFF-ROAD MOUNTING KIT - Spring Mount

PART NUMBER	DESCRIPTION	APPLICATION	PRICE EACH
			LOOSE
184173	Off-road mounting kit	All 98" bodies (56"CA) - (2006 - 2016) Ford (4-point Mounting), and 82" bodies (40"CA) - (2006 - 2016) Ford (4-point Mounting)	\$203
229344	Off-road mounting kit	All 98" bodies (56"CA) - (2017 - Current) Ford (4-point Mounting), and 82" bodies (40"CA) - (2017 - Current) Ford (4-point Mounting)	\$203
171630	Off-road mounting kit	All 98" bodies (56"CA) - RAM, Chevy & GM (6-point Mounting), 82" bodies (37"CA) - RAM, & 82" bodies (42"CA) Chevy & GM (6-point Mounting)	\$245
189546-60CA	Off-road mounting kit	All 110" bodies - (2008-Current) RAM (60"CA Cab Chassis), and 110" bodies - (2017-Current) Ford (60"CA Cab Chassis)	All \$98
189546-84CA	Off-road mounting kit	All 134" bodies - (2008-Current) RAM (84"CA Cab Chassis), and 134" bodies - (2017-Current) Ford (84"CA Cab Chassis)	All \$180
209578	Off-road mounting kit	All 110" and 134" bodies - Chevy & GM (Cab Chassis)	\$245
182896	Off-road mounting kit	All 110" and 134" bodies - (2008-2016) Ford (60"CA & 84"CA Cab Chassis)	\$245

- Off-road mounting kits are required for bodies to be used on uneven or unpaved terrain or with aerial devices.
- Off-road mounting kits (#189546-60CA & -84CA) are designed to work with (#184502) RAM Supplemental mounting kit, or (#228813) Ford Supplemental mounting kit.





# Challenger ST II

## PAINT (WET) / POWDER COAT / IN PRIME PAINT (WET)

PART NUMBER	PAINT TYPE	BODY TYPE / APPLICATION	PRICE EACH FINISH PAINT (Wet)
<b>128922</b>	<b>Acrylic Urethane (White)</b>	<b>82" / 98" Challenger ST II</b>	\$757
128922	Acrylic Urethane (White)	Headache Rack	\$105
128922	Acrylic Urethane (White)	Low sliding roof	\$325
128922	Acrylic Urethane (White)	Highroof (exterior)	\$432
128922	Acrylic Urethane (White)	Highroof (interior load-space)	\$723
128922	Acrylic Urethane (White)	Compartment interiors	\$615
<b>128922</b>	<b>Acrylic Urethane (White)</b>	<b>110" Challenger ST II</b>	\$843
128922	Acrylic Urethane (White)	Headache Rack	\$105
128922	Acrylic Urethane (White)	Low sliding roof	\$347
128922	Acrylic Urethane (White)	Highroof (exterior)	\$484
128922	Acrylic Urethane (White)	Highroof (interior load-space)	\$766
128922	Acrylic Urethane (White)	Compartment interiors	\$680
<b>128922</b>	<b>Acrylic Urethane (White)</b>	<b>134" Challenger ST II</b>	\$1,036
128922	Acrylic Urethane (White)	Headache Rack	\$105
128922	Acrylic Urethane (White)	Low sliding roof	\$432
128922	Acrylic Urethane (White)	Highroof (exterior)	\$540
128922	Acrylic Urethane (White)	Highroof (interior load-space)	\$871
128922	Acrylic Urethane (White)	Compartment interiors	\$766
<b>128923</b>	<b>Basecoat/Clearcoat (Colors)</b>	<b>82" / 98" Challenger ST II</b>	\$1,429
128923	Basecoat/Clearcoat (Colors)	Headache Rack	\$209
128923	Basecoat/Clearcoat (Colors)	Low sliding roof	\$544
128923	Basecoat/Clearcoat (Colors)	Highroof (exterior)	\$713
128923	Basecoat/Clearcoat (Colors)	Highroof (interior load-space)	\$1,165
128923	Basecoat/Clearcoat (Colors)	Compartment interiors	\$1,041
<b>128923</b>	<b>Basecoat/Clearcoat (Colors)</b>	<b>110" Challenger ST II</b>	\$1,655
128923	Basecoat/Clearcoat (Colors)	Headache Rack	\$209
128923	Basecoat/Clearcoat (Colors)	Low sliding roof	\$580
128923	Basecoat/Clearcoat (Colors)	Highroof (exterior)	\$795
128923	Basecoat/Clearcoat (Colors)	Highroof (interior load-space)	\$1,233
128923	Basecoat/Clearcoat (Colors)	Compartment interiors	\$1,098
<b>128923</b>	<b>Basecoat/Clearcoat (Colors)</b>	<b>134" Challenger ST II</b>	\$2,191
128923	Basecoat/Clearcoat (Colors)	Headache Rack	\$209
128923	Basecoat/Clearcoat (Colors)	Low sliding roof	\$713
128923	Basecoat/Clearcoat (Colors)	Highroof (exterior)	\$878
128923	Basecoat/Clearcoat (Colors)	Highroof (interior load-space)	\$1,395
128923	Basecoat/Clearcoat (Colors)	Compartment interiors	\$1,233

•Specify Painted (Wet): Acrylic Urethane (White), or Basecoat/Clearcoat (Color) at time of order...

•Specify Paint Code and Color for Paint (Wet) at time of order...

•**Note:** Powder Coat #200478 (Universal White) is standard for the Challenger ST II Bodies & Options, unless an option notes otherwise...

•Specify on All Orders (Bodies, as well as Options) if they are to be Powder Coat, Finish Paint (Wet), or In Prime to avoid any confusion...

•**Note:** As standard if someone wants Basecoat / Clearcoat (Color) options, then STAHL will apply that over a standard Powder coated unit. If customer wants this applied over a unit in prime, then you must also select option "In Prime", ILO Powder Coat...

•**Note:** If body and/or options are to be finish painted #128922 acrylic urethane white, ILO powder coat #200478 (Universal White). You must also select option "In Prime", ILO Powder Coat...

•**Note:** Metallic Colors / Finish Paints are to be priced using Basecoat/Clearcoat (Color)...

•**Note:** Tri-Coat Paint (or Pearl) is NOT available from STAHL as a Finish Paint Option...



# Challenger ST II

## PAINT (WET) / POWDER COAT / IN PRIME

### POWDER COAT (Standard for All CST Bodies and Options)

	PART NUMBER	PAINT TYPE	BODY TYPE / APPLICATION	PRICE EACH POWDER COAT**
▲	200478	Powder Coat (Universal White)	82" / 98" Challenger ST II	In Body Price
▲	200478	Powder Coat (Universal White)	110" Challenger ST II	In Body Price
▲	200478	Powder Coat (Universal White)	134" Challenger ST II	In Body Price

\*\*Specify Powder Coat (Universal White) at time of order...

•Powder Coat #200478 (Universal White) is standard for STAHL products, unless an option notes otherwise...

•**Note:** Powder Coat #200478 (Universal White) is standard for the Challenger ST II Bodies & Options, unless an option notes otherwise...

•Specify on All Orders (Bodies, as well as Options) if they are to be Powder Coat, Finish Paint (Wet), or In Prime to avoid any confusion...

### IN PRIME (WHITE) ILO POWDER COAT (UNIVERSAL WHITE)

	PART NUMBER	PRIMER TYPE	BODY TYPE / APPLICATION	PRICE EACH IN PRIME
	928051	Urethane Primer (White)	82" / 98" Challenger ST II	(\$259)
	928051	Urethane Primer (White)	Low sliding roof	(\$111)
	928051	Urethane Primer (White)	Highroof	(\$149)
	928051	Urethane Primer (White)	110" Challenger ST II	(\$304)
	928051	Urethane Primer (White)	Low sliding roof	(\$119)
	928051	Urethane Primer (White)	Highroof	(\$164)
	928051	Urethane Primer (White)	134" Challenger ST II	(\$347)
	928051	Urethane Primer (White)	Low sliding roof	(\$148)
	928051	Urethane Primer (White)	Highroof	(\$186)

•Specify Painted (Wet): Acrylic Urethane (White), or Basecoat/Clearcoat (Color) at time of order...

•Specify Paint Code and Color for Paint (Wet) at time of order...

•**Note:** Powder Coat #200478 (Universal White) is standard for the Challenger ST II Bodies & Options, unless an option notes otherwise...

•Specify on All Orders (Bodies, as well as Options) if they are to be Powder Coat, Finish Paint (Wet), or In Prime to avoid any confusion...

•**Note:** Options that are NOT listed above (In Prime, ILO Powder Coat) that are powder coated as standard will NOT receive an additional deduct...

•**Note:** As standard if someone wants Basecoat/Clearcoat (Color) option, then STAHL will apply that over a standard Powder Coated unit. If customer wants this applied over a unit In Prime, then you must also select option "In Prime", ILO Powder Coat...

•**Note:** If body and/or options are to be finish painted #128922 acrylic urethane white, ILO powder coat #200478 (Universal White). You must also select option "In Prime", ILO Powder Coat...



# Challenger ST II

Distributor Price List  
Effective: January 1, 2020  
Revised: February 6, 2020

## PIPE CARRIER / PIPE SUPPORT / PIPE VISE BRACKET (Bolt-on)

PART NUMBER	DESCRIPTION	PRICE EACH	
		LOOSE	INSTALLED *
4149	Pipe carrier for compartment top mount	\$170	\$225
446	Pipe support assembly with F bar for compartment front end panel	\$70	\$122
234960	Pipe vise bracket assembly (Bolt-on) for mounting on bumper riser or rear end panel (Designed to be used with #446)	\$118	\$155

\*Location must be specified at time of order if ordered installed.

•Finish paint (Black) is the standard for options listed above.

## POWER DOOR LOCKS

PART NUMBER	DESCRIPTION	PRICE EACH	
		LOOSE	INSTALLED
200333	CST82, CST98, CST110 (VV & VVL) Power door lock kit (six door actuators) - (for 6 Side Compartment Doors)	\$645	\$831
200353	CST134 (VV & VVL) Power door lock kit (eight door actuators) - (for 8 Side Compartment Doors)	\$857	\$1,106
200355	CST "Highroof Rear Door Only" Power door lock kit (one door actuator) - (can be added to Non-Highroof Power Door Lock Kit when Highroof Option is specified)	\$108	\$138
235176	CST "C Side Compartment Door and/or Highroof Side Access Door" Power door lock kit (one actuator per door) to be added to standard Power Door Lock Kits	\$108	\$138
233458	2017-current Ford F-Series only. Supply an interface module and harness, so the STAHL Power Door Lock System for a CST II will function using the OEM Chassis Key FOB, ILO the Stahl FOB supplied as part of the PDL Kit... Noting that otherwise the locking systems on the chassis and service body would work independently. Must be ordered w/Power Door Lock Option (Loose, or Installed)...	\$185	\$286

•Kit price includes actuators, keyless entry, and wiring harness.

•For side compartment door application only (unless noted to include rear door, then a Highroof must be ordered as well).

•Power Door Lock options can be used on Top Pak Bodies, but Top Pak Lids are NOT provided with Power door locks.

• Note: Standard Power Door applications above are not designed for "C" Bodies, and/or Tank Compartment applications (unless noted for specific "CV" type application).

• Note: CST82 "C" Bodies will not allow for a Power Door Lock to be provided to the lower "C" door because the lower "C" compartment door is NOT large enough to allow for a Power Door Lock to be added... Please note that this is NOT AVAILABLE.

## STONE GUARDS (ALUMINUM TREADBRITE)

PART NUMBER	DESCRIPTION	BODY APPLICATION	PRICE PAIR	
			LOOSE	INSTALLED
220618	Aluminum Tread-Brite Front Stone Guards (1) Pair	For Narrow Compartment Bodie (S)	\$123	\$128
220644	Aluminum Tread-Brite Front Stone Guards (1) Pair	For Deep Compartment Bodie (D)	\$123	\$128

•Size: 10" high x 9.63" wide on SRW, and 10" high x 15.63" wide on DRW.

# Challenger ST II

## TAILBOARD ASM (Bolt-On)

PART NUMBER	DESCRIPTION	PRICE EACH	
		LOOSE	INSTALLED
202037	Tailboard Asm (Bolt-On) Includes a 2"x6" Pine Tailboard and a pair of channel brackets for a Challenger ST II (48.5" application only)	n/a	\$109
207405	Tailboard Asm (Bolt-On) Includes a 2"x6" Pine Tailboard and a pair of channel brackets for a Challenger ST II (52.5" application only)	n/a	\$109

- Tailboard Asm includes: (1) Nominal 2"x6" Treated Pine Board, (2) 10-ga. galvanneal Bolt-on Channels Brackets, & Fasteners...
- Powder Coated #200478 (Universal White) is Standard for the Tailboard channel brackets and is included within the pricing.
- Note: The pine tailboard is supplied in raw, so no finish is included (as standard) with this option...
- Note: When a Tailboard Asm is selected, then the Tailgate DELETE Option is to be ordered as well. The Tailboard Asm uses the standard (Slam-action) tailgate holes... See TAILGATE (Slam-Action) - DELETE option to remove the standard tailgate...
- Note: A Tailboard Asm option is needed if your CST Body will include a STAHL Heavy-Duty Hydraulic Outrigger. The standard slam-action tailgate interferes with the hydraulic hoses, so this Tailboard Asm is required for this application...
- Note: Please contact your Inside Sales for your Special Quote / Pricing for any Non-Standard (or Non-Price Book) applications...

## TAILGATE (Slam-Action) - DELETE

PART NUMBER	DESCRIPTION	PRICE EACH DEDUCT FROM BODY
182071	Delete standard slam-action tailgate from any Challenger ST II (48.5" application only)	\$112
184480	Delete standard slam-action tailgate from any Challenger ST II (52.5" application only)	\$112

- Note: When a Tailgate DELETE Option is ordered, then please note that TAILGATE HOLES are still provided within the Rear End Panels... See TAILGATE - DELETE & OMIT TAILGATE HOLES from REAR END PANEL KIT if you want the Tailgate holes to be removed...

## TAILGATE (Slam-Action) - DELETE & OMIT TG HOLES from END PANEL

PART NUMBER	DESCRIPTION	PRICE EACH DEDUCT FROM BODY
214189	Delete standard slam-action tailgate & Omit Tailgate Holes from Rear End Panels for "VVS" or "VVST" Bodies with 48.5" wide Floor application (Without Light Holes)	\$112
215455	Delete standard slam-action tailgate & Omit Tailgate Holes from Rear End Panels for "VVSL" or "VVSLT" Bodies with 48.5" wide Floor application (Without Light Holes)	\$112
229074	Delete standard slam-action tailgate & Omit Tailgate Holes from Rear End Panels for "VVD" or "VVDT" Bodies with 48.5" wide Floor application (Without Light Holes)	\$112
212129	Delete standard slam-action tailgate & Omit Tailgate Holes from Rear End Panels for "VVD" or "VVDT" Bodies with 52.5" wide Floor application (Without Light Holes)	\$112
SPL	Delete standard slam-action tailgate & Omit Tailgate Holes from Rear End Panels for a CST Body, if a part number is not listed (Any Application, Body, Floor Width, Light Holes, Crane Reinforcement, etc...)	\$112

- Note: When a TAILGATE - DELETE & OMIT TAILGATE HOLES from REAR END PANEL KIT Option is ordered, then the required Tailgate is DELETED and the Rear End Panels are replaced so NO TAILGATE HOLES are provided (ILO Rear End Panels with Tailgate holes)...
- Note: No Need to DELETE the specific TAILGATE from the order as a separate line item, and is removed as part of the TAILGATE - DELETE & OMIT TAILGATE HOLES from REAR END PANEL KIT Option...
- \*You must take into consideration the Body, Light Holes, Tailgate width, and other options that impact Rear End Panels...
  - Note: Consider items / options that impact the rear end panels...
  - Note: Please note that Options like Crane Reinforcements & Rear Light Holes do impact the above Option application...
  - Note: Additional Body feature that impact this options: "V", "VL", "C", "CL", "S", "D", Floor width (48.5" or 52.5"), & more...
- Note: This Option can not be used with a STOCK body, because of the OMIT TAILGATE HOLES from REAR END PANELS...
- Note: At time of printing "SPL" = Engineering Required, so lead-time would be longer than standard product.

# Challenger ST II

## TANK COMPARTMENT - 60" High (Built into Body Design)

PART NUMBER	DESCRIPTION	APPLICATION	PRICE EACH INSTALLED
207382-02	60" tank compartment	CST98VS - Curbside	\$534
207382-01	60" tank compartment	CST98VS - Streetside	\$534
207062-02	60" tank compartment	CST98VD - Curbside	\$534
207062-01	60" tank compartment	CST98VD - Streetside	\$534
207336-02	60" tank compartment	CST110VS - Curbside	\$534
207336-01	60" tank compartment	CST110VS - Streetside	\$534
207024-02	60" tank compartment	CST110VD - Curbside	\$534
207024-01	60" tank compartment	CST110VD - Streetside	\$534
206367-02	60" tank compartment	CST134VD - Curbside	\$534
206367-01	60" tank compartment	CST134VD - Streetside	\$534
207328-02	60" tank compartment	CST98VD (NWB) - Curbside	\$534
207328-01	60" tank compartment	CST98VD (NWB) - Streetside	\$534
207054-02	60" tank compartment	CST110VD (NWB) - Curbside	\$534
207054-01	60" tank compartment	CST110VD (NWB) - Streetside	\$534
206914-02	60" tank compartment	CST134VD (NWB) - Curbside	\$534
206914-01	60" tank compartment	CST134VD (NWB) - Streetside	\$534

- Powder Coated #200478 (Universal White) is Standard for this Option and included within the price.
- Tank Compartments are built into the Body, so they are to be ordered with the Body at the same time...
- Tank compartment on 39.5" high bodies extends 20.5" above the compartment top.
- Tank compartments are offset in 2.46" from the load-space, above the compartment top of body.
- As Standard - No shelving designed to work within Tank compartment space located above the compartment top of body.
  - No shelf attachment points located above compartment top of body, & shelving would need to be a non-standard depth...
- Tank compartment will work with a low sliding roof.
- Low Profile, Top Pak Bodies, and "C" Side type applications are available upon request and must be Special Quoted by Inside Sales.
- Note: Pricing includes the deletion of any applicable trays from the required front compartment.
- Customer to specify/confirm location at time of order.
- Note that some standard options (like Bar Locks, Crane Reinforcement, Highroof, etc...) are not designed (as standard) to work with a Tank Compartment, so please contact Inside Sales to confirm application and Special Pricing. (As needed)
- Highroof with Tank Compartment applications are available upon request and must be Special Quoted by Inside Sales.
- Standard Tank Compartments are designed to work with "V" Side type applications.
  - "VL", "C", "CL", "LT", and "T" Side type application require Engineering "SPL".
- Tank Compartment Specifications:**
  - 14 gauge galvaneal front end panel, tank compartment top, and load-space wall.
  - 16 gauge galvaneal Intermediate panel.
  - Louvers for venting provided within both front end and intermediate tank compartment panels.
  - 20 gauge double panel construction, (3) total hinges provided with this door, and standard latching.
  - 60" high Tank Compartment provides a 60" Overall Compartment, with an approximate clear door opening of: 56 7/8".
  - 3-Point (Stainless Steel) T-Handle Latch provided, ILO Std. (Single Point) Rotary Latches like other Std. height compartments.

## TANK HOLDER (Bolt-on)

PART NUMBER	DESCRIPTION	APPLICATION (HOLDER WIDTH / COMPT WIDTH)	PRICE EACH	
			LOOSE*	INSTALLED*
208267	Tank holder for two tanks (9" dia. max)	CST98 FV Compartment. 25.69" Holder width / 29.81" wide compartment. Fits 14", or 20" deep compartments	\$122	\$202
208048	Tank holder for two tanks (9" dia. max)	CST110 & 134 FV Compartment. 29.38" Holder width / 33.44" wide compartment. Fits 14", or 20" deep compartments	\$122	\$202

- Powder Coated #200478 (Universal White) is Standard for this Option and included within the price.
- Mounting fasteners are included for attaching within Tank Compartment (Nuts, bolts, & more type fasteners).
- \*Location must be specified at time of order.



# Challenger ST II

**Distributor Price List**  
 Effective: January 1, 2020

## TIE DOWN RING (SINGLE) KIT (Load-space)

PART NUMBER	DESCRIPTION	PRICE EACH	
		LOOSE	INSTALLED *
225414	Tie down "D" ring (recessed) - 2000# Capacity (Single) Kit with fasteners	\$40	\$75

\*Location must be specified at time of order.

•Tie down rings can be installed in the load space floor or load space inside centers.

•**Note:** Order to reflect "#SPL" so floor plate can be pre-punched for required tie-down ring kit needs (as needed)...

## TIE DOWN RING FLOOR KIT - SET OF (4) Four (In Floor)

PART NUMBER	DESCRIPTION	APPLICATION	PRICE (PER SET)	
			LOOSE	INSTALLED *
225575	Tie-Down Ring Floor Kit - "D" Ring (recessed) - 2000# Capacity - Set of (4) Four (In Floor)	for a CST82-48.5 Challenger ST II Body - with NO Wheel Boxes...	n/a	\$299
223408	Tie-Down Ring Floor Kit - "D" Ring (recessed) - 2000# Capacity - Set of (4) Four (In Floor)	for a CST98-48.5 Challenger ST II Body - with NO Wheel Boxes...	n/a	\$299
225551	Tie-Down Ring Floor Kit - "D" Ring (recessed) - 2000# Capacity - Set of (4) Four (In Floor)	for a CST98-52.5 Challenger ST II Body - with Wheel Boxes...	n/a	\$299
225552	Tie-Down Ring Floor Kit - "D" Ring (recessed) - 2000# Capacity - Set of (4) Four (In Floor)	for a CST98-52.5 Challenger ST II Body - with NO Wheel Boxes...	n/a	\$299
225554	Tie-Down Ring Floor Kit - "D" Ring (recessed) - 2000# Capacity - Set of (4) Four (In Floor)	for a CST110-48.5 Challenger ST II Body - with Wheel Boxes...	n/a	\$299
225511	Tie-Down Ring Floor Kit - "D" Ring (recessed) - 2000# Capacity - Set of (4) Four (In Floor)	for a CST110-48.5 Challenger ST II Body - with NO Wheel Boxes...	n/a	\$299
225514	Tie-Down Ring Floor Kit - "D" Ring (recessed) - 2000# Capacity - Set of (4) Four (In Floor)	for a CST110-52.5 Challenger ST II Body - with Wheel Boxes...	n/a	\$299
217710	Tie-Down Ring Floor Kit - "D" Ring (recessed) - 2000# Capacity - Set of (4) Four (In Floor)	for a CST110-52.5 Challenger ST II Body - with NO Wheel Boxes...	n/a	\$299
225518	Tie-Down Ring Floor Kit - "D" Ring (recessed) - 2000# Capacity - Set of (4) Four (In Floor)	for a CST134-48.5 Challenger ST II Body - with Wheel Boxes...	n/a	\$299
225515	Tie-Down Ring Floor Kit - "D" Ring (recessed) - 2000# Capacity - Set of (4) Four (In Floor)	for a CST134-52.5 Challenger ST II Body - with Wheel Boxes...	n/a	\$299
225573	Tie-Down Ring Floor Kit - "D" Ring (recessed) - 2000# Capacity - Set of (4) Four (In Floor)	for a CST134-52.5 Challenger ST II Body - with NO Wheel Boxes...	n/a	\$299

•Standard locations for the above Set of (4) Four Tie Down Rings (In Floor) are defined as the following:

•Tie down rings are located 3-1/2" from the load-space inner walls (both sides).

•On a CST Body: Front & Rear Tie down rings located 6" from each end of floor plate.

•**Note:** Above kits remove standard floor, and adds required floor plate with pre-punched holes for required tie-down ring kit...

•**Note:** Above kits are specific to bodies with or without "Wheel Boxes"...



# Challenger ST II

**Distributor Price List**  
 Effective: January 1, 2020

## TIE DOWN RING FLOOR KIT - SET OF (6) Six (In Floor)

PART NUMBER	DESCRIPTION	APPLICATION	PRICE (PER SET)	
			LOOSE	INSTALLED *
225576	Tie-Down Ring Floor Kit - "D" Ring (recessed) - 2000# Capacity - Set of (6) Six (In Floor)	for a CST82-48.5 Challenger ST II Body - with NO Wheel Boxes...	n/a	\$447
214941	Tie-Down Ring Floor Kit - "D" Ring (recessed) - 2000# Capacity - Set of (6) Six (In Floor)	for a CST98-48.5 Challenger ST II Body - with NO Wheel Boxes...	n/a	\$447
210969	Tie-Down Ring Floor Kit - "D" Ring (recessed) - 2000# Capacity - Set of (6) Six (In Floor)	for a CST98-52.5 Challenger ST II Body - with Wheel Boxes...	n/a	\$447
225553	Tie-Down Ring Floor Kit - "D" Ring (recessed) - 2000# Capacity - Set of (6) Six (In Floor)	for a CST98-52.5 Challenger ST II Body - with NO Wheel Boxes...	n/a	\$447
225555	Tie-Down Ring Floor Kit - "D" Ring (recessed) - 2000# Capacity - Set of (6) Six (In Floor)	for a CST110-48.5 Challenger ST II Body - with Wheel Boxes...	n/a	\$447
225512	Tie-Down Ring Floor Kit - "D" Ring (recessed) - 2000# Capacity - Set of (6) Six (In Floor)	for a CST110-48.5 Challenger ST II Body - with NO Wheel Boxes...	n/a	\$447
225513	Tie-Down Ring Floor Kit - "D" Ring (recessed) - 2000# Capacity - Set of (6) Six (In Floor)	for a CST110-52.5 Challenger ST II Body - with Wheel Boxes...	n/a	\$447
225550	Tie-Down Ring Floor Kit - "D" Ring (recessed) - 2000# Capacity - Set of (6) Six (In Floor)	for a CST110-52.5 Challenger ST II Body - with NO Wheel Boxes...	n/a	\$447
225517	Tie-Down Ring Floor Kit - "D" Ring (recessed) - 2000# Capacity - Set of (6) Six (In Floor)	for a CST134-48.5 Challenger ST II Body - with Wheel Boxes...	n/a	\$447
225516	Tie-Down Ring Floor Kit - "D" Ring (recessed) - 2000# Capacity - Set of (6) Six (In Floor)	for a CST134-52.5 Challenger ST II Body - with Wheel Boxes...	n/a	\$447
225574	Tie-Down Ring Floor Kit - "D" Ring (recessed) - 2000# Capacity - Set of (6) Six (In Floor)	for a CST134-52.5 Challenger ST II Body - with NO Wheel Boxes...	n/a	\$447

•Standard locations for the above Set of (6) Six Tie Down Rings (In Floor) are defined as the following:

- Tie down rings are located 3-1/2" from the load-space inner walls (both sides).
- On a CST Body: Front & Rear Tie down rings located 6" from each end of floor plate.
- On a CST Body: Center (Pair) of Tie down rings are located at midpoint (centered front to rear). Valid Only on a "without" wheel boxes application.
- On a CST Body: Center (Pair) of Tie down rings are located 26.53" forward of the rear axle centerline (just in front of the wheel boxes). Valid Only on a "with" wheel boxes application.

•**Note:** Above kits remove standard floor, and adds required floor plate with pre-punched holes for required tie-down ring kit...

•**Note:** Above kits are specific to bodies with or without "Wheel Boxes"...



# Challenger ST II

**Distributor Price List**  
 Effective: January 1, 2020

## TIRE CARRIERS (Bolt-on)

PART NUMBER	DESCRIPTION	PRICE EACH	
		LOOSE	INSTALLED*
210653	Spare tire carrier - for interior load-space side wall application	\$75	\$155

\*Location must be specified at time of order if installed, as well as tire size noted...

- Finish Painted (Wet) #134291 DTM (Black) is Standard for this Option and is included within the price.
- Mounting fasteners are included for installation.

## TOP-PAKS - Add On (Bolt-on)

PART NUMBER	APPLICATION BODY LENGTH & COMPT. DEPTH	DIVIDERS INCLUDED	APPROX. WEIGHT	PRICE EACH	
				LOOSE	INSTALLED
212891	CST98" long x 14" deep body side	10	110#	\$1,343	\$1,361
210960	CST98" long x 20" deep body side	10	115#	\$1,402	\$1,461
213331	CST110" long x 14" deep body side	12	110#	\$1,402	\$1,461
211332	CST110" long x 20" deep body side	12	115#	\$1,461	\$1,518
210949	CST134" long x 20" deep body side (w/double lids)	14	150#	\$2,220	\$2,336

•Powder Coated #200478 (Universal White) is Standard for this Option and included within the price.

•Top-Paks are 3 3/4" deep.

•Top-Paks may be installed by either bolting or welding to the compartment top.

•Top-Paks may be used opposite a crane reinforcement (crane reinforcement curbside / add-on top-pak streetside).

•Top-Paks are provided with divider slots on 4" centers.

•**Note:** Current Add-On Top Paks are NOT designed (as standard) to work with a Low Sliding Roof option, so please contact Inside Sales to confirm application and Special Pricing. (As needed). Engineering may be required...

## TOP PAK DIVIDERS

PART NUMBER	DESCRIPTION	COMPARTMENT DEPTH	SIZE	PRICE EACH LOOSE
215158	Dividers for Top Pak applications	14"	1.75" H x 12.96" L	\$3
215157	Dividers for Top Pak applications	20"	1.75" H x 18.96" L	\$3

•Dividers are 16 gauge steel G60 min spangle chem. dry

•Top Pak Dividers are for a Challenger ST II Top Pak Body application, and/or Add-on Top Pak Option application...





# Challenger ST II

## TRAYS - With Dividers (Bolt-on)

### CST82 Bodies

PART NUMBER	BODY	COMPARTMENT LOCATION	COMPARTMENT DEPTH	TRAY WIDTH	TRAY DEPTH	# OF DIVIDERS PROVIDED	PRICE EACH LOOSE
213251	82"	Front Vertical	14"	9 5/16"	10 3/4"	2	\$93
206203	82"	Horizontal	14"	47 1/8"	10 3/4"	10	\$134
206209	82"	Rear Vertical	14"	17 3/8"	10 3/4"	4	\$93

### CST98 Bodies

PART NUMBER	BODY	COMPARTMENT LOCATION	COMPARTMENT DEPTH	TRAY WIDTH	TRAY DEPTH	# OF DIVIDERS PROVIDED	PRICE EACH LOOSE
206204	98"	Front Vertical	14"	25 3/4"	10 3/4"	6	\$93
206182	98"	Front Vertical	20"	25 3/4"	16 3/4"	6	\$93
206203	98"	Horizontal	14"	47 1/8"	10 3/4"	10	\$134
206190	98"	Horizontal	20"	47 1/8"	16 3/4"	10	\$134
206205	98"	Rear Vertical	14"	16 55/64"	10 3/4"	4	\$93
206188	98"	Rear Vertical	20"	16 55/64"	16 3/4"	4	\$93

- Mounting fasteners are included for attaching to Challenger ST II Body (nuts and bolts fasteners).
- Trays for vertical compartments are adjustable on 1" increments
- Trays for horizontal compartments are adjustable on 1" increments, but limited on the long "C" horizontal due to the support bracket...
- Trays are provided with divider slots on 2" centers (dividers every other slot).
- Trays are provided with a 2.00" high front and rear lip, 5/8" deep formed edge to hold dividers into place.
  - Tray ends to formed up with no rolled edge, providing the attachment points needed for bolting within a compartment...
- Tray price **INCLUDES** noted dividers supplied as standard (Std.: Dividers every other slot). Additional dividers are extra.
- Trays are made of 14 gauge hi-spangle galvanized steel.
- Dividers are 16 gauge steel G60 min spangle chem. dry
- 250 pound maximum weight capacity per tray.
- The long "C" horizontal tray is supplied as standard with (1) single support bracket, w/bracket located near body end panel...
  - Standard support bracket mounting holes are 7.00" centerline to centerline, limiting adjustment on a long "C" horizontal tray...
- If more than one "C" horizontal tray within a compartment, then support bracket to be replaced w/bracket to handle specific needs...
  - Support brackets: #206072 (14"D compartment depth), & #206111 (20"D compartment depth) for a long "C" horizontal tray ...
  - Engineering is then Required...
- Note: At time of printing "SPL" = Engineering Required, so lead-time would be longer than standard product.**

# Challenger ST II

## TRAYS - With Dividers (Bolt-on) CST110 Bodies

PART NUMBER	BODY	COMPARTMENT LOCATION	COMPARTMENT DEPTH	TRAY WIDTH	TRAY DEPTH	# OF DIVIDERS PROVIDED	PRICE EACH LOOSE
206207	110"	Front Vertical	14"	29 3/8"	10 3/4"	6	\$93
206184	110"	Front Vertical	20"	29 3/8"	16 3/4"	6	\$93
206203	110"	Horizontal	14"	47 1/8"	10 3/4"	10	\$134
206190	110"	Horizontal	20"	47 1/8"	16 3/4"	10	\$134
206204	110"	Rear Vertical	14"	25 3/4"	10 3/4"	6	\$93
206182	110"	Rear Vertical	20"	25 3/4"	16 3/4"	6	\$93

## CST134 Bodies

PART NUMBER	BODY	COMPARTMENT LOCATION	COMPARTMENT DEPTH	TRAY WIDTH	TRAY DEPTH	# OF DIVIDERS PROVIDED	PRICE EACH LOOSE
206184	134"	Front Vertical	20"	29 3/8"	16 3/4"	6	\$93
206186	134"	Second Vertical	20"	20"	16 3/4"	4	\$93
206190	134"	Horizontal	20"	47 1/8"	16 3/4"	10	\$134
206182	134"	Rear Vertical	20"	25 3/4"	16 3/4"	6	\$93

- Mounting fasteners are included for attaching to Challenger ST II Body (nuts and bolts fasteners).
- Trays for vertical compartments are adjustable on 1" increments
- Trays for horizontal compartments are adjustable on 1" increments, but limited on the long "C" horizontal due to the support bracket...
- Trays are provided with divider slots on 2" centers (dividers every other slot).
- Trays are provided with a 2.00" high front and rear lip, 5/8" deep formed edge to hold dividers into place.
  - Tray ends to formed up with no rolled edge, providing the attachment points needed for bolting within a compartment...
- Tray price **INCLUDES** noted dividers supplied as standard (Std.: Dividers every other slot). Additional dividers are extra.
- Trays are made of 14 gauge hi-spangle galvanized steel.
- Dividers are 16 gauge steel G60 min spangle chem. dry
- 250 pound maximum weight capacity per tray.
- The long "C" horizontal tray is supplied as standard with (1) single support bracket, w/bracket located near body end panel...
  - Standard support bracket mounting holes are 7.00" centerline to centerline, limiting adjustment on a long "C" horizontal tray...
- If more than one "C" horizontal tray within a compartment, then support bracket to be replaced w/bracket to handle specific needs...
  - Support brackets: #206072 (14"D compartment depth), & #206111 (20"D compartment depth) for a long "C" horizontal tray ...
  - Engineering is then Required...

## TRAYS - With Dividers (Bolt-on) - DELETE

•Note: To Delete a Tray with dividers from a compartment, take the Price to add a Tray and deduct that same amount...

## TRAY DIVIDERS

PART NUMBER	DESCRIPTION	COMPARTMENT DEPTH	SIZE	PRICE EACH LOOSE
214087	Dividers for Trays	14"	2.0" H x 10.50" L	\$3
214088	Dividers for Trays	20"	2.0" H x 16.50" L	\$3

•Dividers are 16 gauge steel G60 min spangle chem. dry

# Challenger ST II

## WEST COAST CHALLENGER ST II (Aluminum) UPGRADE PACKAGE

PART NUMBER	DESCRIPTION	APPLICATION	PRICE EACH IN LIEU OF STANDARD INSTALLED
231131-98S	West Coast CST (for Top Pak Body) Aluminum Upgrade Package	CST98SLT / ST-48.5	\$679
231131-110S	West Coast CST (for Top Pak Body) Aluminum Upgrade Package	CST110SLT / ST-48.5	\$818
231131-110D-52	West Coast CST (for Top Pak Body) Aluminum Upgrade Package	CST110DLT / DT-52.5	\$818
INSTALL	Install (1 EA) tailgate tip protector, (2 EA) stone sheilds in lieu of loose	All West Coast Packages	\$67

- Note:** The West Coast CST (Aluminum) Upgrade Package must be ordered along with a Challenger ST II body with built-in Top Paks.
- Package includes the following features installed (unless noted otherwise):
  - Supply and install (1 set) of Top Pak lids made of Aluminum Tread-Brite, in lieu of the Standard Steel CST Top Pak Lids.
  - Aluminum Tread-Brite Tailgate Tip protector (1 each) - Loose
  - Aluminum Tread-Brite Front Stone Shields (1 pair) - Loose
    - Size: 10" high x 9.63" wide on SRW, and 10" high x 15.63" wide on DRW.
  - Supply Rivet Fasteners to secure Tailgate Tip protector & Front Stone Shields - Loose
- Above Installation Option is required if Complete Installation is required (Factory installed Unit).

## WEST COAST - ALUMINUM TREADBRITE (DIAMOND PLATE) OVERLAY KITS

PART NUMBER	DESCRIPTION	APPLICATION	PRICE EACH	
			LOOSE	INSTALLED
231127-82S	West Coast CST (for Non-Top Pak Body) Aluminum Overlay Kit	CST82SL / S-48.5	\$389	\$507
231127-98S	West Coast CST (for Non-Top Pak Body) Aluminum Overlay Kit	CST98SL / S-48.5	\$389	\$507
231127-110S	West Coast CST (for Non-Top Pak Body) Aluminum Overlay Kit	CST110SL / S-48.5	\$405	\$522
231127-98D-52	West Coast CST (for Non-Top Pak Body) Aluminum Overlay Kit	CST98DL / D-52.5	\$437	\$552
231127-110D-48	West Coast CST (for Non-Top Pak Body) Aluminum Overlay Kit	CST110DL / D-48.5	\$452	\$569
231127-110D-52	West Coast CST (for Non-Top Pak Body) Aluminum Overlay Kit	CST110DL / D-52.5	\$456	\$572
231127-134D-52	West Coast CST (for Non-Top Pak Body) Aluminum Overlay Kit	CST134DL / D-52.5	\$525	\$682

- Overlay Kit includes the following features:
  - Aluminum Tread-Brite Compartment Top Overlay (1 pair)
    - Size: 13.63" wide x 81.75" long for a CST82S
    - Size: 13.69" wide x 97.75" long for a CST98S
    - Size: 13.63" wide x 110.19" long for a CST110S
    - Size: 19.69" wide x 97.75" long for a CST98D
    - Size: 19.69" wide x 110.19" long for a CST110D
    - Size: 19.69" wide x 134.19" long for a CST134D
  - Aluminum Tread-Brite Tailgate Tip protector (1 each)
  - Aluminum Tread-Brite Front Stone Shields (1 pair)
    - Size: 10" high x 9.63" wide on SRW, and 10" high x 15.63" wide on DRW.
- Supply Rivet Fasteners to secure Compartment Top Overlays, Tailgate Tip protector & Front Stone Shields